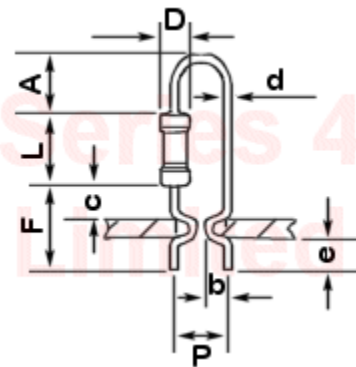


TP6/V-PR Vertical Axial Component Former

MM
INCH
Min
Max
Min
Max
Model TP6/V-PR/1 with Pre-Forming Tooling, P=2.54mm (0.1") – MOL86.OL01:

| | Min | Max | Min | Max |
|----------|------------|------|-----------|-------|
| A | 2.8 | 5.0 | 0.110 | 0.196 |
| L | 3.0 | 15.0 | 0.118 | 0.590 |
| F | 4.3 | 10.0 | 0.169 | 0.393 |
| c | 1.5 | 5.0 | 0.059 | 0.196 |
| e | 1.2 | 4.0 | 0.047 | 0.157 |
| b | 1.0 | 1.0 | 0.039 | 0.039 |
| d | 0.5 | 0.8 | 0.019 | 0.031 |
| D | 0.5 | 4.0 | 0.019 | 0.157 |
| P | 2.54 Fixed | | 0.1 Fixed | |



TP6/V-PR/2 with Pre-Forming Tooling, P=5.08mm (0.2") – MOL86.OL02

| | Min | Max | Min | Max |
|----------|------------|------|-----------|-------|
| A | 3.0 | 5.0 | 0.118 | 0.196 |
| L | 3.0 | 15.0 | 0.118 | 0.590 |
| F | 4.3 | 10.0 | 0.169 | 0.393 |
| c | 1.5 | 5.0 | 0.059 | 0.196 |
| e | 1.2 | 4.0 | 0.047 | 0.157 |
| b | 1.0 | 1.0 | 0.039 | 0.039 |
| d | 0.5 | 0.8 | 0.019 | 0.031 |
| D | 0.5 | 8.0 | 0.019 | 0.314 |
| P | 5.08 Fixed | | 0.2 Fixed | |

