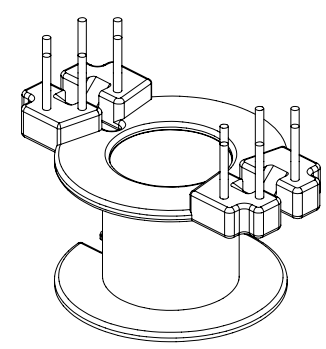
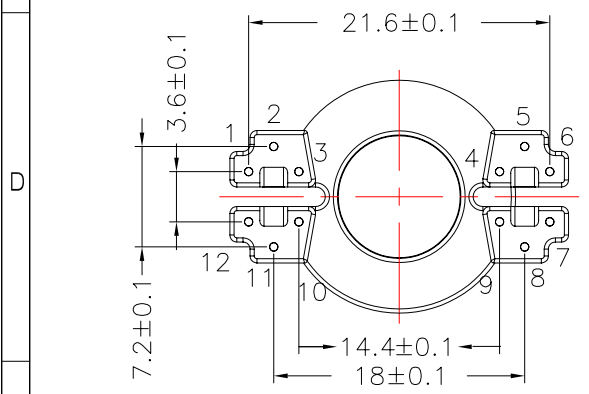
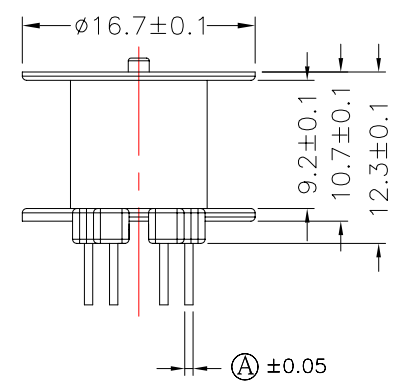
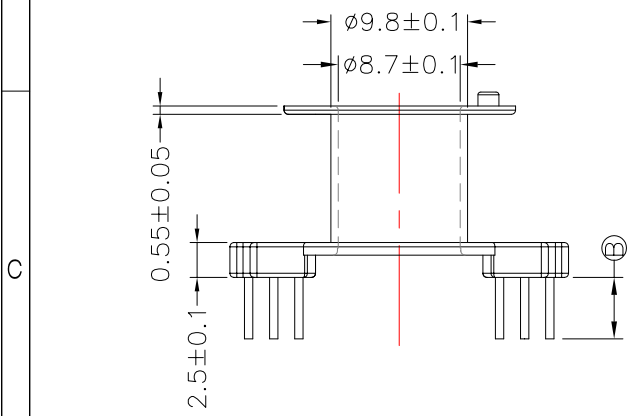
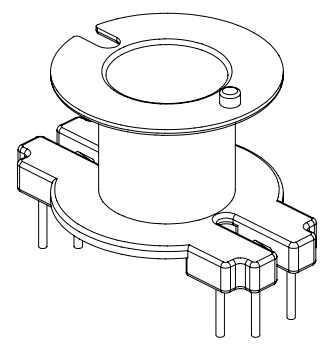
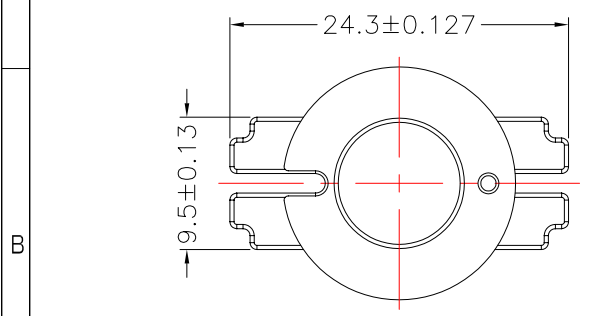


TBI TRANSFORMER BOBBIN INDUSTRIAL CO.,LTD.

Tel : 86-769-88789999 Fax : 86-769-88789989
 http:// tbi-tw.com e-mail : tb6688@ms46.hinet.net

REVISIONS				
REV	SYM	DRAFTER	CHECKER	DATE
11		Y.G.HSU	W.H.HSU	02/23/07
12		YAN.TANG	G.F.YANG	09/28/07
13		YAN.TANG	G.F.YANG	12/15/09



DWG NO.	RM8-12P-TH-A-1				
PART NO.	MATERIAL (BOBBIN)	MATERIAL (TERMINAL)	TERMINAL (PLATING)	PIN ALLOCATION	NOTE
E 11 TBI-208-05011.100	PM-9630			NO PIN	
TBI-208-05011.106	PM-9630	CP WIRE	Sn	ALL PIN A= Ø0.6 B=4.4 ±0.2 13	
TBI-208-05011.116	PM-9630	CP WIRE	Sn	CUT PIN #3,4,6,7,9,10,12 A= Ø0.6 B=5.5 ±0.2 13	
TBI-208-05011.126	PM-9630	CP WIRE	Sn	CUT PIN #1,3,4,9,10,12 A= Ø0.6 B=4.4 ±0.2 13	
TBI-208-05011.136	PM-9630	CP WIRE	Sn	CUT PIN #3,4,9,10 A= Ø0.6 B=4.4 ±0.2 13	
TBI-208-05011.146	PM-9630	CP WIRE	Sn	CUT PIN #1,3,4,6,7,9,10,12 A= Ø0.6 B=7 ±0.2 13	
TBI-208-05011.156	PM-9630	CP WIRE	Sn	CUT PIN #3,4,9,10 A= SQ0.5 B=5.5 ±0.2 13	
TBI-208-05011.166	PM-9630	CP WIRE	Sn	CUT PIN #3,4,9,10 A= SQ0.5 B=6.2 ±0.2 13	
F 11 TBI-208-05011.176	PM-9630	CP WIRE	Sn	ALL PIN A=Ø0.6 B=5.5 ±0.2 13	
TBI-208-05011.186	PM-9630	CP WIRE	Sn	CUT PIN #1,2,5,6,7,8,11,12 A=Ø0.6 B=5.0 ±0.2 13	
12 TBI-208-05011.196	PM-9630	CP WIRE	Sn	CUT PIN #3,4,9,10 A=Ø0.6 B=5.0 ±0.2 13	
13 TBI-208-05011.1A6	PM-9630	CP WIRE	Sn	CUT PIN #3,4,9,10 A=Ø0.6 B=5.5 ±0.2 13	
13 TBI-208-05011.1B6	PM-9630	CP WIRE	Sn	ALL PIN A=SQ0.5 B=7.0 ±0.2 13	
TBI-208-05011.1C6	PM-9630	CP WIRE	Sn	CUT PIN #1,2,8,11,12 A=Ø0.6 B=5.5 ±0.2	

TOLERANCE: .X±0.15 .XX±0.10 .XXX±0.05 UNIT : m / m SCALE 2 : 1

Finish: 1. PB wire Immersion Sn on terminal : Thickness:Sn plating,100,5 μm (200 μ inches) min,Base nickel 0.625 μm (25 μ inches) min.
 2. CP WIRE Immersion Sn on terminal : Thickness:Sn plating,100,5 μm (200 μ inches) min.
 3. Coplanarity deviation: 0.10 mm (0.004 inches) max.

REV 13