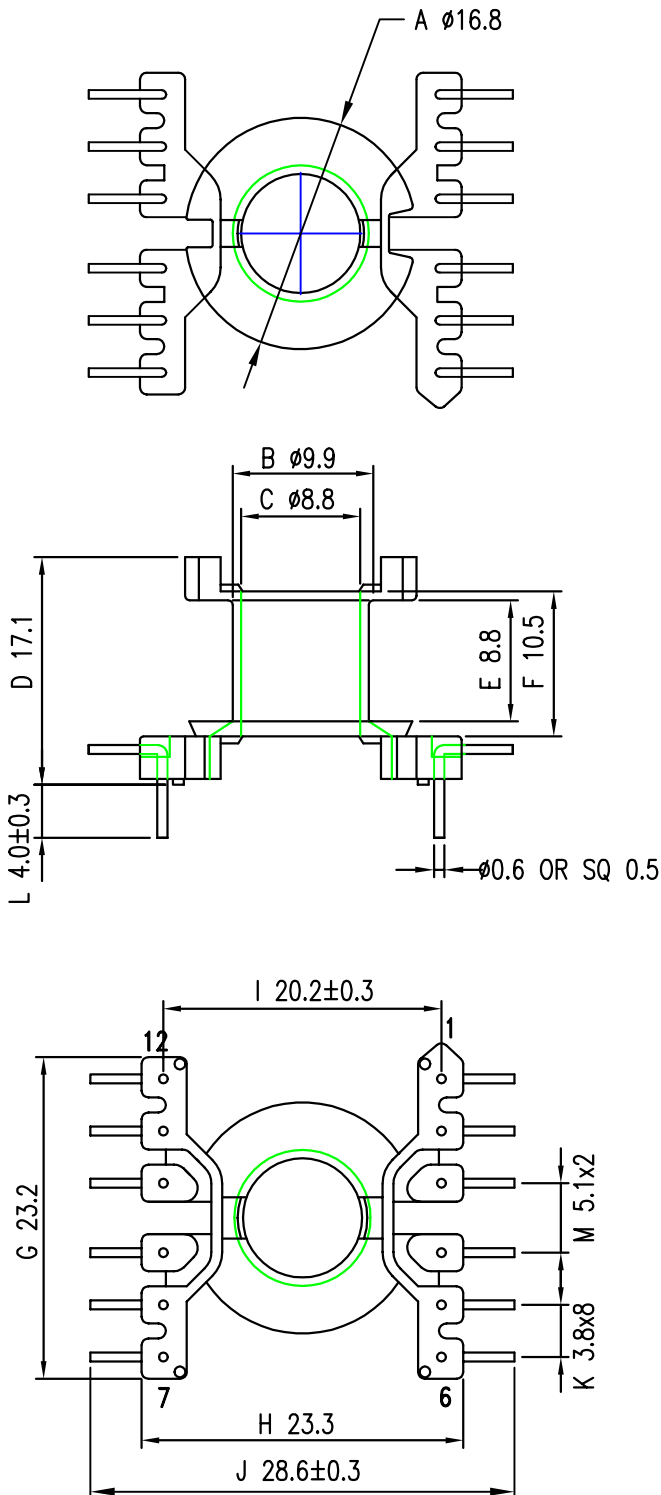
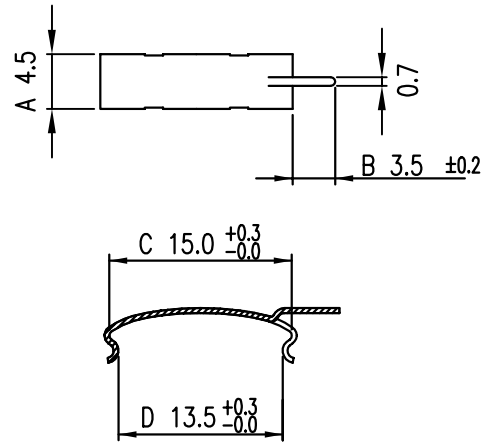


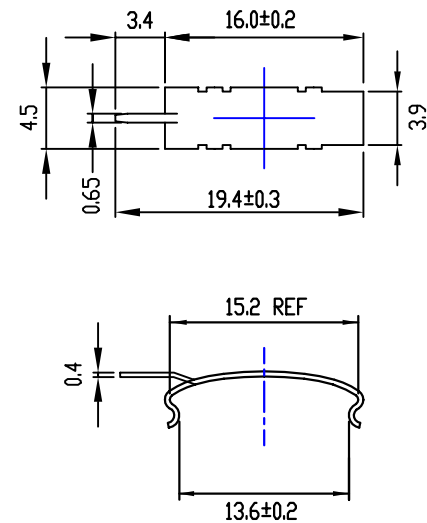
TPI NO.: 1508004



TPI NO.: 1508001



TPI NO.: 1508001-S



DATE	REVISED STORY	MODEL :	BOBBIN MATERIAL :	PIN MATERIAL :	CLAMP MATERIAL :
6/01'02	RELEASED THE NEW DRAWING SPEC.	RM 8-12PIN (TPI NO. : 1508004) RM 8-CLAMP (TPI NO. : 1508001) RM 8-CLAMP (TPI NO. : 1508001-S)	PET/GF UL94V-0	CP WIRE (TIN PLATED)	SK7 0.4t
		DATE : June 01,2002	REV. : A	TOLERANCE : .XXX $\pm 0.08$ .XX $\pm 0.1$ .X $\pm 0.2$	