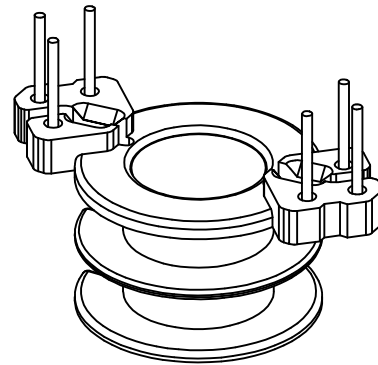
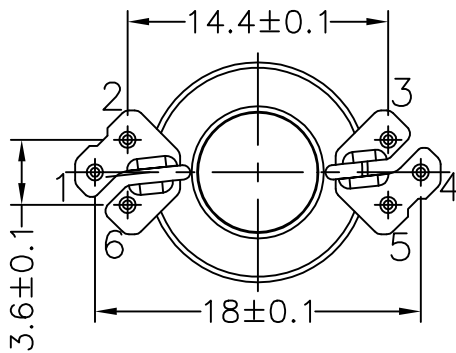
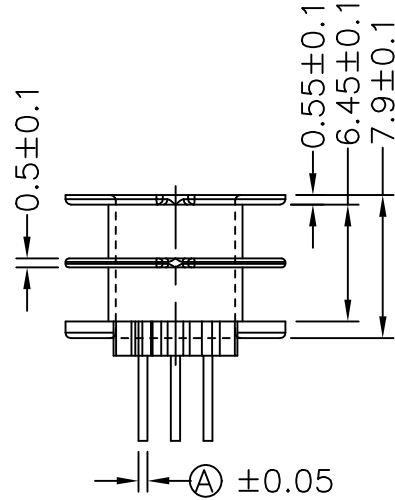
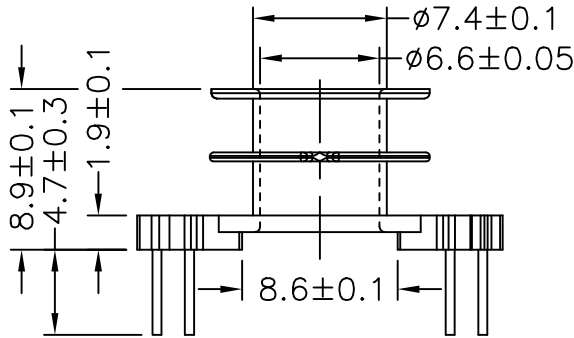
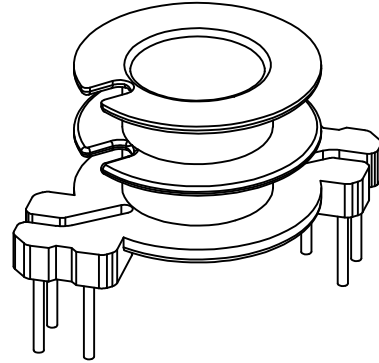
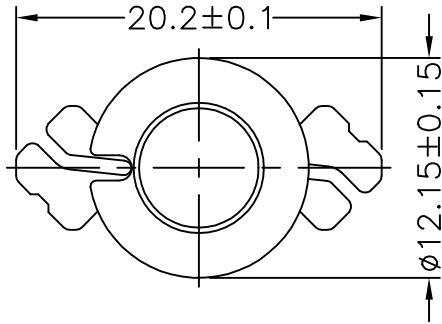


**TBI** TRANSFORMER BOBBIN INDUSTRIAL CO., LTD.

Phone 886-2-22929999 Fax 886-2-22925263  
E-MAIL: tb6688@ms46.hinet.net

REVISIONS

REV	SYM	DRAFTER	CHECKER	DATE
①		T.S.LII	W.H.HSU	02/14/01
②		T.S.LII	W.H.HSU	06/02/03
③				



PART NO.	RM6-6P-TH-D-1-2S							
DWG NO.	TBI-208-02042.1XX							
TBI NO.	MATERIAL (BOBBIN)	MATERIAL (TERMINAL)	TERMINAL (PLATING)		.106	ALL PIN, (A)=Ø 0.5		
					.104	ALL PIN, (A)=SQ.0.4		
208-02042.104	PM-9630	C.P WIRE	Au	PART NO.	REV	MODE NO	PIN LOCATION	
208-02042.106	PM-9630	C.P WIRE	Sn	Finish: 1-1. Immersion gold on terminal. Thickness gold 0.075 μm (3 μ inches) min, Base nickel 0.625 μm (25 μ inches) min. Immersion Sn on terminal. Terminal:Sn plating,100, 5 μm (200 μ inches) min Base nickel 0.625 μm (25 μ inches) min. 1-3. Immersion Sn/Pb on terminal. Terminal:Sn/Pb plating,90/10, 5 μm (200 μ inches) min Base nickel 0.625 μm (25 μ inches) min. (for pin GW type) 2. Coplanarity deviation: 0.004 inches max.			TOLERANCE	.X ± 0.15 .XX ± 0.10 .XXX ± 0.05
							UNIT	m/m
							SCALE	2.5 : 1
							REV	2