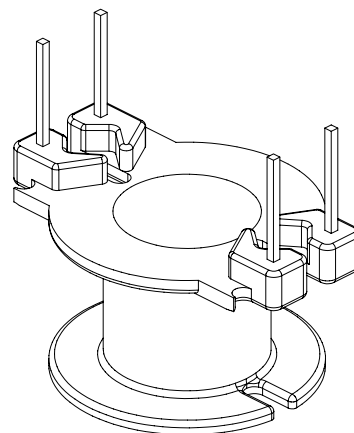
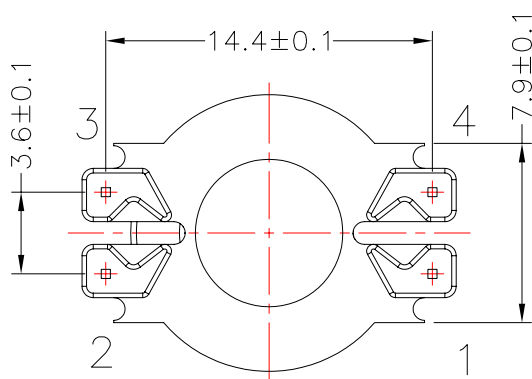
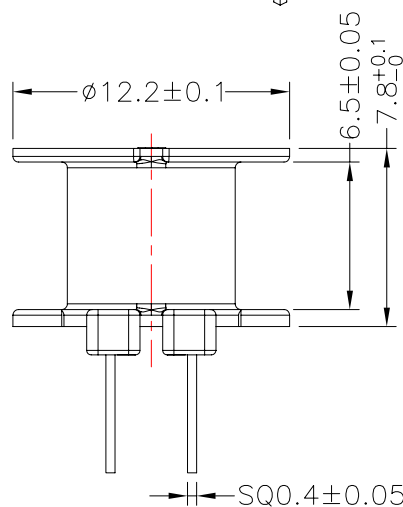
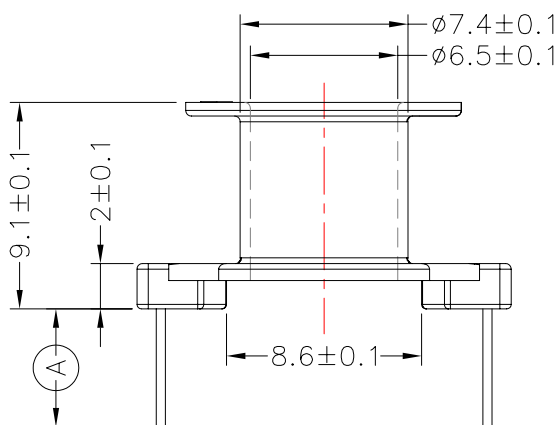
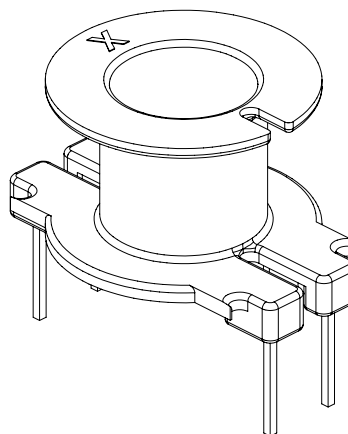
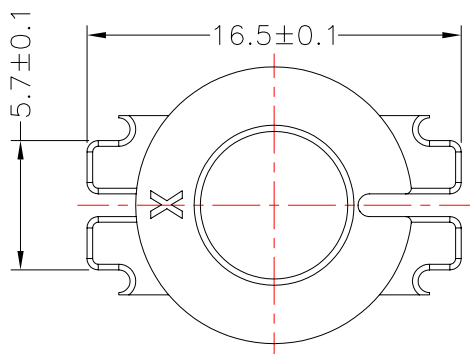


TRANSFORMER BOBBIN INDUSTRIAL CO.,LTD.

Tel : 86-769-88789999 Fax : 86-769-88789989
 http:// tbi-tw.com e-mail : tb6688@ms46.hinet.net

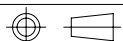
REVISIONS				
REV	SYM	DRAFTER	CHECKER	DATE
△9		T.S.LII	W.H.HSU	08/23/05
△10		T.S.LII	W.H.HSU	07/24/06
△11		Y.G.HSU	W.H.HSU	02/12/07



DWG NO. RM6-4P-TH-B-1

PART NO.	MATERIAL (BOBBIN)	MATERIAL (TERMINAL)	TERMINAL (PLATING)	PIN ALLOCATION	NOTE
----------	-------------------	---------------------	--------------------	----------------	------

TBI-208-02021.106 ^{△1}	PM-9630	CP WIRE	Sn	ALL PIN (A) = 3.8+0/-0.3	
TBI-208-02021.116	PM-9630	CP WIRE	Sn	CUT PIN #3, (A) = 5.7±0.3	已無刀模 H
TBI-208-02021.126	PM-9630	CP WIRE	Sn	ALL PIN (A) = 5.0±0.3	



TOLERANCE: .X±0.15 .XX±0.10 .XXX±0.05

UNIT : m / m

SCALE 3 : 1

Finish: 1. PB wire Immersion Sn on terminal : Thickness:Sn plating,100,5 μ m (200 μ inches) min,Base nickel 0.625 μ m (25 μ inches) min.
 2. CP wire Immersion Sn on terminal : Thickness:Sn plating,100,5 μ m (200 μ inches) min.
 3. Coplanarity deviation: 0.10 mm (0.004 inches) max.

REV 11