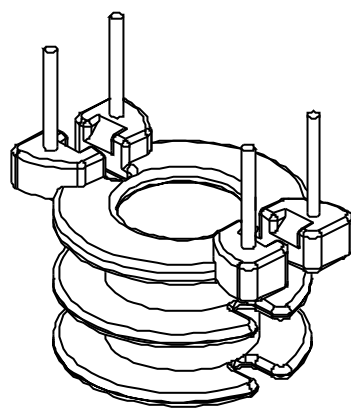
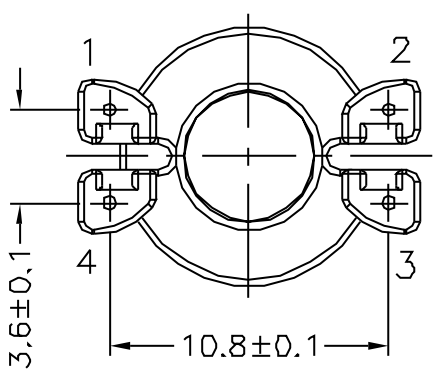
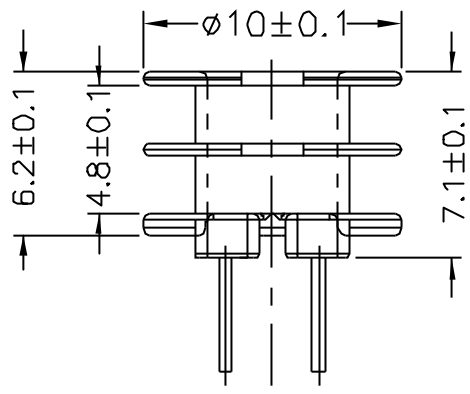
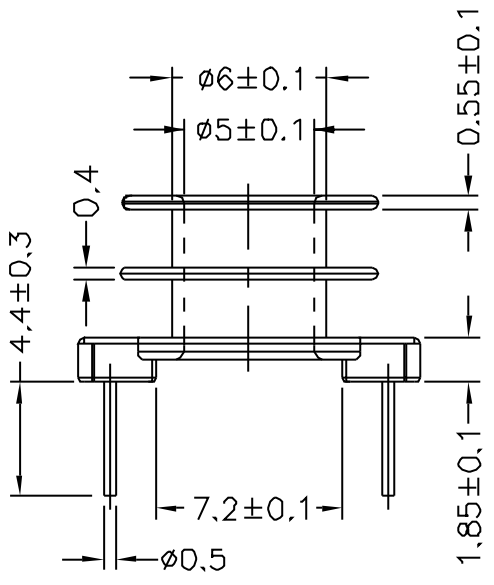
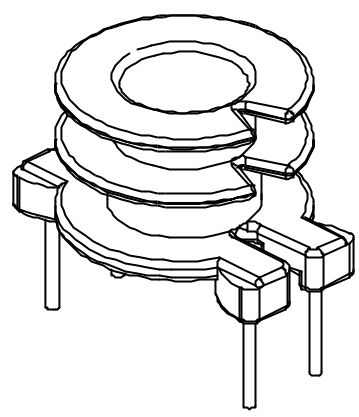
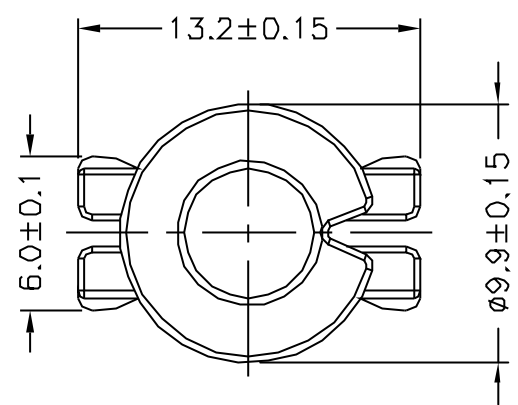


TBI TRANSFORMER BOBBIN INDUSTRIAL CO.,LTD. Phone 886-2-22926699 Fax 886-2-22925288 E-MAIL: tbs006@ms45.hinet.net		REVISIONS	
REV	SYM	DRAFTER	CHECKER
▲		T.S.LII	W.H.HSU
▲			
▲			
		DATE	02/14/01

A
B
C
D
E
F

A
B
C
D
E
F



PART NO.		FM5-4P-TH-A-1-2S						
DWG NO.		TBI-208-03012.1XX						
TBI NO.	MATERIAL (BOBBIN)	MATERIAL (TERMINAL)	TERMINAL (PLATING)			.101	ALL PIN	
208-03012.1XX	PM-9830	C.P.WIRE	Sn/Pb	PART NO.	REV	MODE NO	PIN LOCATION	
				Finish: 1. Immersion gold on terminal. Thickness gold 0.075 μ m (3 μ inches) min. Base nickel 0.025 μ m (25 μ inches) min. 2. Coplanarity deviation: 0.004 inches max.			TOLERANCE	$\frac{X}{X\%}$
							UNIT	mm
							SCALE	3.5:1
							REV	1