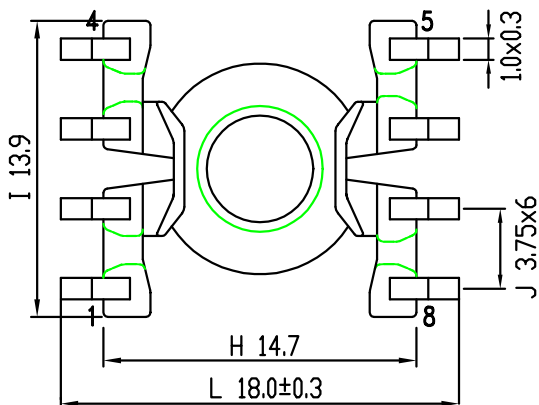
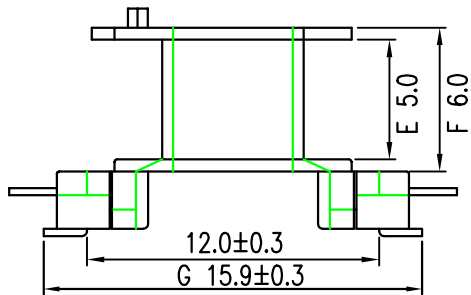
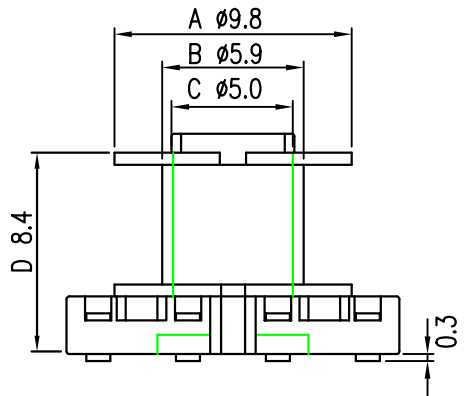
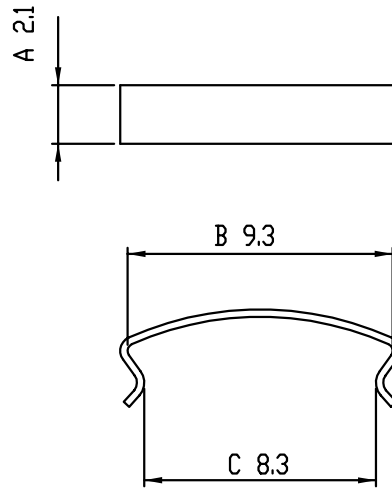




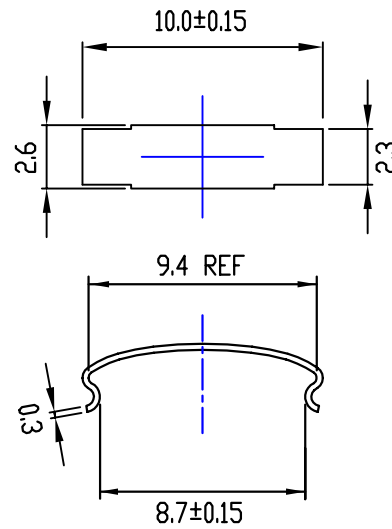
TPI NO.: SRM5001



TPI NO.: SRM5001-1



TPI NO.: SRM5001-S



DATE	REVISED STORY	MODEL :	RM5-8PIN "J" (TPI NO.:SRM5001) RM5-CLAMP (TPI NO.:SRM5001-1) RM5-CLAMP (TPI NO.:SRM5001-S)
6/01'02	RELEASED THE NEW DRAWING SPEC.	BOBBIN MATERIAL :	Nylon 46/GF UL94V-0
		PIN MATERIAL :	PHOSPHORUS BRONZE (TIN PLATED)
		CLAMP MATERIAL:	SK7 0.3t
		DATE :	June. 01,2002
		SCALE :	A
		TOLERANCE :	.XXX ± 0.08 .XX ± 0.1 .X ± 0.2