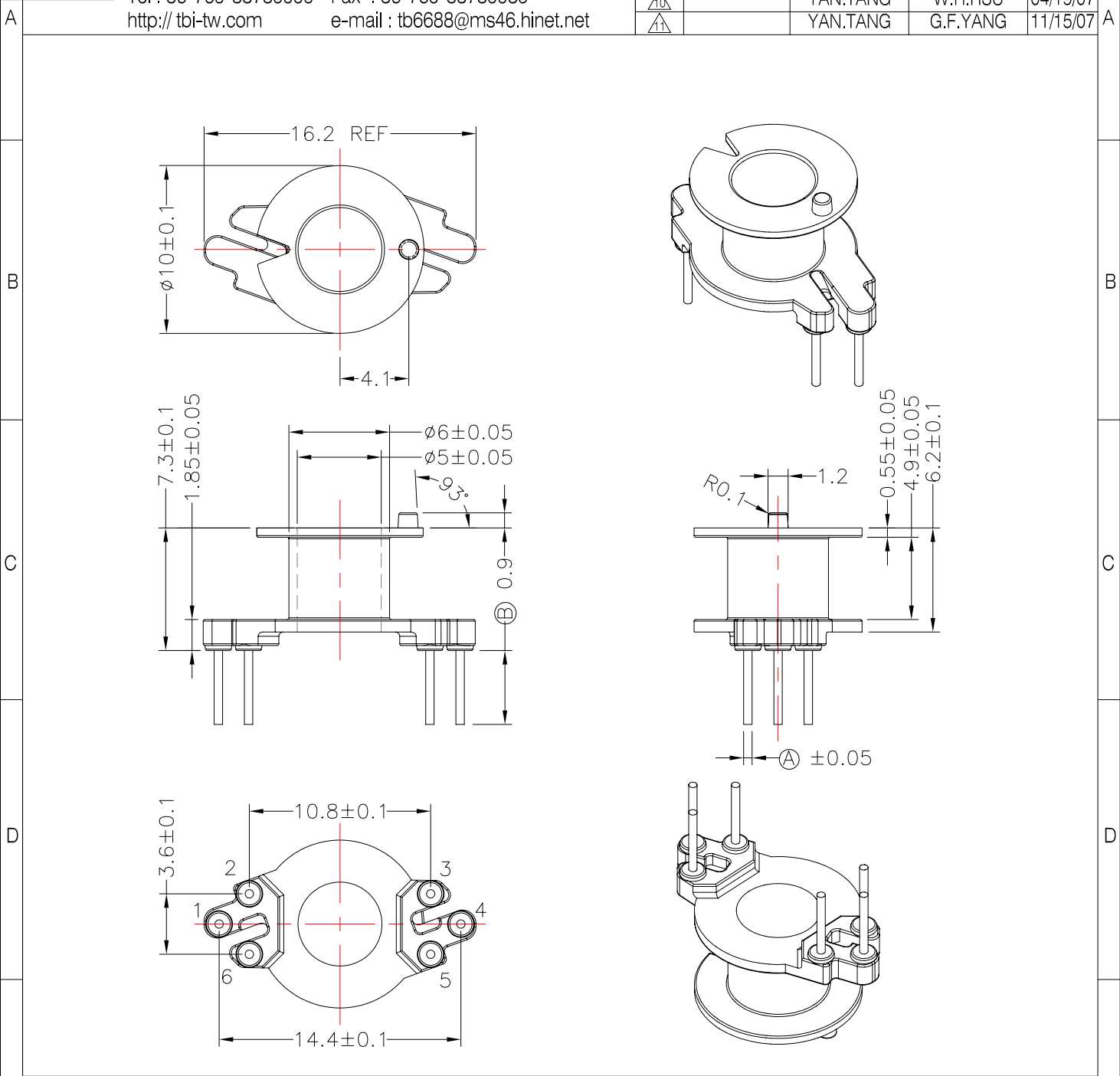


TBI TRANSFORMER BOBBIN INDUSTRIAL CO.,LTD.

Tel : 86-769-88789999 Fax : 86-769-88789989
 http:// tbi-tw.com e-mail : tb6688@ms46.hinet.net

REVISIONS				
REV	SYM	DRAFTER	CHECKER	DATE
△9		Y.G.HSU	W.H.HSU	02/07/07
△8		YAN.TANG	W.H.HSU	04/19/07
△1		YAN.TANG	G.F.YANG	11/15/07



DWG NO.	RM5-6P-TH-B-1				
PART NO.	MATERIAL (BOBBIN)	MATERIAL (TERMINAL)	TERMINAL (PLATING)	PIN ALLOCATION	NOTE
TBI-208-03021.106	PM-9630	CP WIRE	Sn	ALL PIN (A)= \varnothing 0.5(B)=4.4 \pm 0.3	
TBI-208-03021.116	PM-9630	CP WIRE	Sn	CUT PIN #1,4 (A)= \varnothing 0.5(B)=4.4 \pm 0.3	
TBI-208-03021.126	PM-9630	CP WIRE	Sn	CUT PIN #4 (A)= \varnothing 0.5(B)=4.4 \pm 0.3	
TBI-208-03021.136	PM-9630	CP WIRE	Sn	ALL PIN (A)=SQ0.4 (B)=5.0 \pm 0.3	
TBI-208-03021.146	PM-9630	CP WIRE	Sn	CUT PIN #1,4 (A)=SQ0.4(B)=4.4 \pm 0.3	
TBI-208-03021.156	PM-9630	CP WIRE	Sn	ALL PIN (A)= \varnothing 0.5 (B)=6.0 \pm 0.3	
TBI-208-03021.166	PM-9630	CP WIRE	Sn	ALL PIN (A)= \varnothing 0.5 (B)=5.0 \pm 0.3	
TBI-208-03021.176	PM-9630	CP WIRE	Sn	CUT PIN #1 (A)= \varnothing 0.5(B)=4.4 \pm 0.3	
TBI-208-03021.186	PM-9630	CP WIRE	Sn	ALL PIN (A)= \varnothing 0.5(B)=4.0 \pm 0.2	
TBI-208-03021.196	PM-9630	CP WIRE	Sn	CUT PIN #4 (A)= \varnothing 0.5(B)=4.0 \pm 0.2	
TBI-208-03021.1A6	PM-9630	CP WIRE	Sn	ALL PIN (A)= \varnothing 0.5(B)=3.5 \pm 0.2	

TOLERANCE: .X \pm 0.15 .XX \pm 0.10 .XXX \pm 0.05 UNIT : m / m SCALE 3 : 1

Finish: 1. Pb wire Immersion Sn on terminal : Thickness:Sn plating,100,5 μ m (200 μ inches) min,Base nickel 0.625 μ m (25 μ inches) min.
 2. CP wire Immersion Sn on terminal : Thickness:Sn plating,100,5 μ m (200 μ inches) min.
 3. Coplanarity deviation: 0.10 mm (0.004 inches)max.