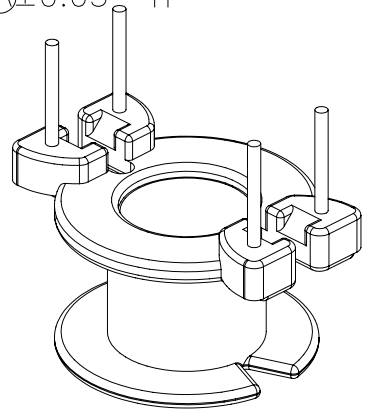
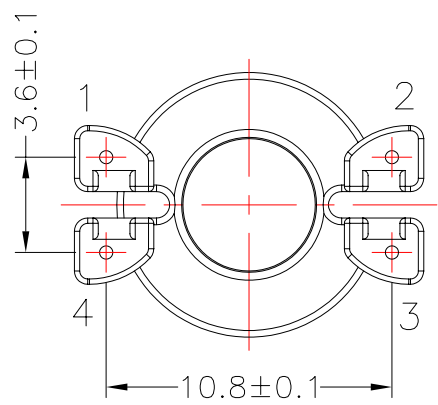
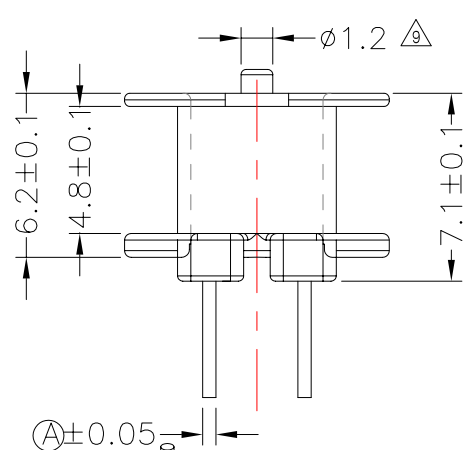
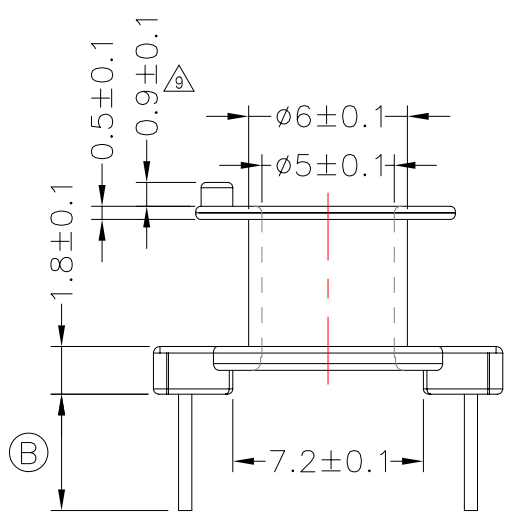
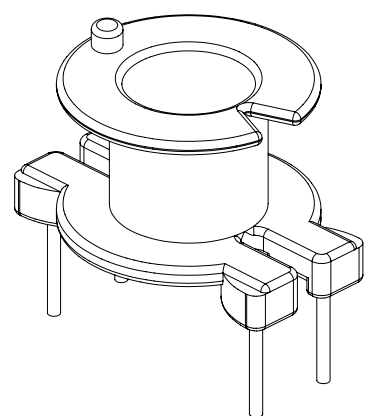
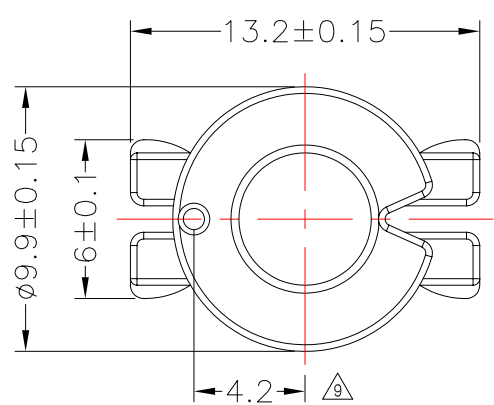


TBI TRANSFORMER BOBBIN INDUSTRIAL CO.,LTD.

Tel : 86-769-88789999 Fax : 86-769-88789989
 http:// tbi-tw.com e-mail : tb6688@ms46.hinet.net

REVISIONS				
REV	SYM	DRAFTER	CHECKER	DATE
8		YAN.TANG	W.H.HSU	04/11/07
9		YAN.TANG	G.F.YANG	06/26/09
10		YAN.TANG	G.F.YANG	06/24/10



DWG NO.	RM5-4P-TH-A-1				
PART NO.	MATERIAL (BOBBIN)	MATERIAL (TERMINAL)	TERMINAL (PLATING)	PIN ALLOCATION	NOTE
TBI-208-03011.106	PM-9630	CP WIRE	Sn	ALL PIN (B) =4.4±0.3 (A)=SQ0.4	
TBI-208-03011.116	PM-9630	CP WIRE	Sn	ALL PIN (B) =4.4±0.3 (A)=Ø0.5	H
TBI-208-03011.126	PM-9630	CP WIRE	Sn	ALL PIN (B) =6.0±0.3 (A)=Ø0.5	
TBI-208-03011.136	PM-9630	CP WIRE	Sn	ALL PIN (B) =3.9±0.2 (A)=Ø0.5	
TBI-208-03011.146	PM-9630	CP WIRE	Sn	ALL PIN (B) =5.0±0.3 (A)=Ø0.5	
TBI-208-03011.156	PM-9630	CP WIRE	Sn	CUT PIN #2 (B) =4.4±0.3 (A)=Ø0.5	
TBI-208-03011.166	PM-9630	CP WIRE	Sn	CUT PIN #2 (B) =4.9±0.2 (A)=Ø0.5	52GRM54P0001
TBI-208-03011.176	PM-9630	CP WIRE	Sn	CUT PIN #3 (B) =6.0±0.2 (A)=Ø0.5	

TOLERANCE: .X±0.15 .XX±0.10 .XXX±0.05 UNIT : m / m SCALE 3.5 : 1

Finish: 1. PB wire Immersion Sn on terminal : Thickness:Sn plating,100,5µm (200µ inches) min,Base nickel 0.625µm (25µ inches) min.
 2. CP wire Immersion Sn on terminal : Thickness:Sn plating,100,5µm (200µ inches) min.
 3. Coplanarity deviation: 0.10 mm (0.004 inches) max.

REV 10