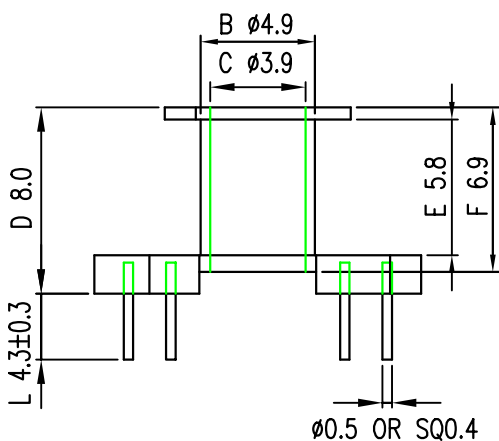
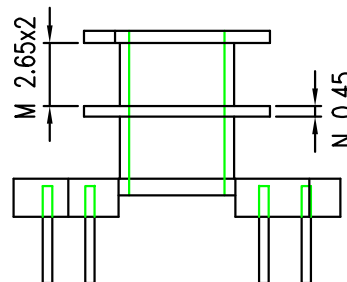
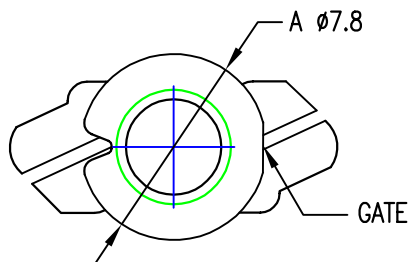
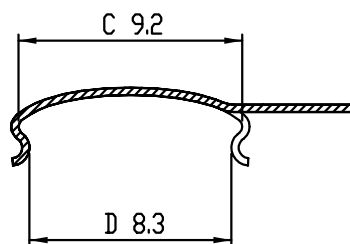
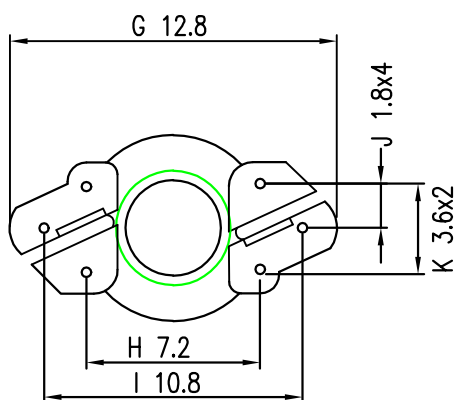
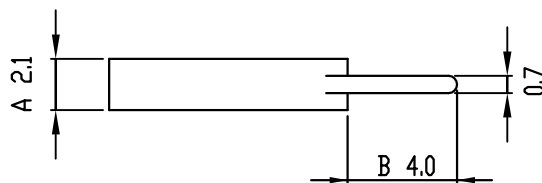


TPI NO.: 1504001

TPI NO.: 1504002



TPI NO.: 1504001-1



DATE	REVISED STORY	MODEL : RM 4-6PIN-1SEC (TPI NO.:1504001) RM 4-6PIN-2SEC (TPI NO.:1504002) RM 4-CLAMP (TPI NO.:1504001-1)		
6/01'02	RELEASED THE NEW DRAWING SPEC.	BOBBIN MATERIAL : PHENOLIC RESIN UL94V-0 PIN MATERIAL : CP WIRE (TIN PLATED) CLAMP MATERIAL : SK7 0.3t		
		DATE : June 01,2002	REV. : A	TOLERANCE : .XXX±0.08 .XX ±0.1 .X ±0.2