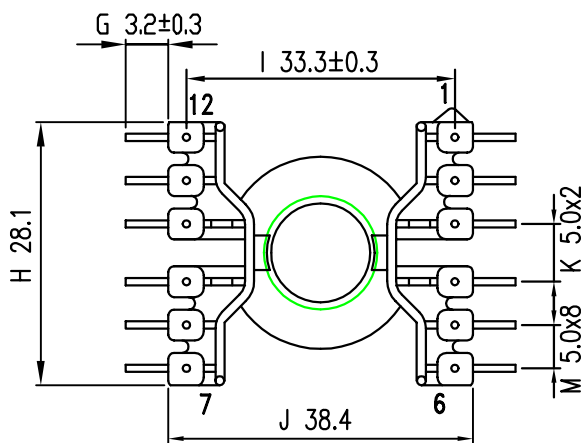
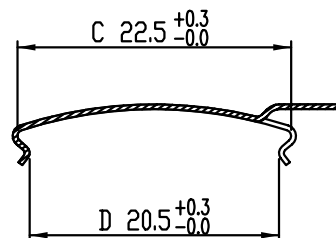
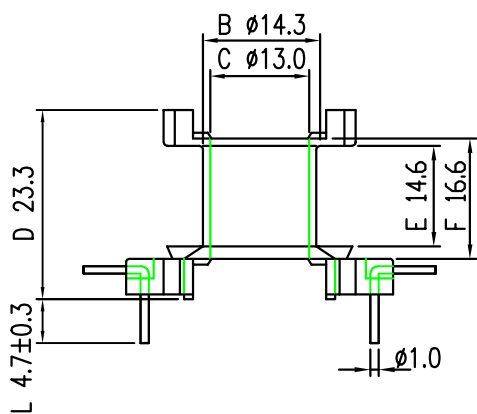
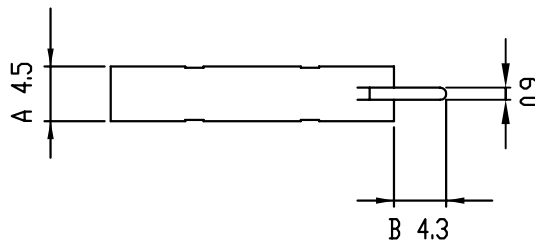
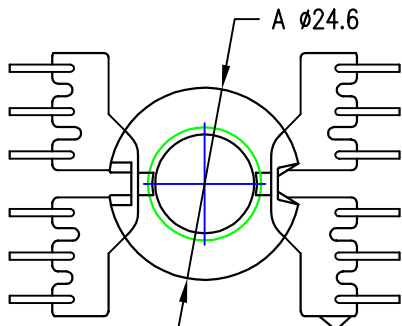




TPI NO.: 1501201

TPI NO.: 1501201-1



DATE	REVISED STORY	MODEL : RM 12-12PIN (TPI NO.:1501201) RM 12-CLAMP (TPI NO.:1501201-1)		
6/01'02	RELEASED THE NEW DRAWING SPEC.	BOBBIN MATERIAL : PET/GF UL94V-0		
		PIN MATERIAL : CP WIRE (TIN PLATED)		
		CLAMP MATERIAL : SK7 0.4t		
		DATE : June 01,2002	REV. : A	TOLERANCE : .XXX ± 0.08 .XX ± 0.1 .X ± 0.2