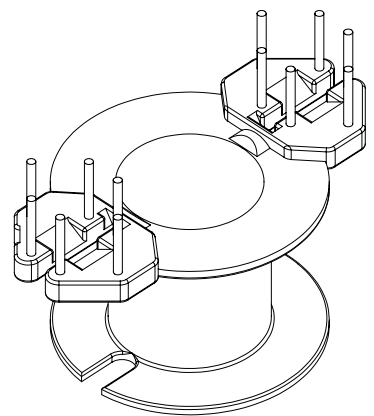
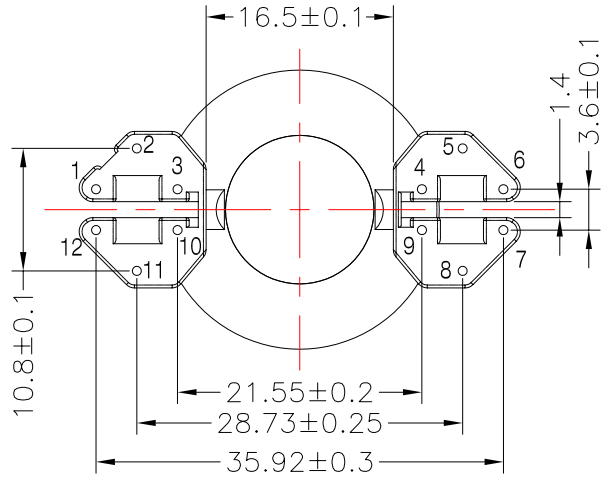
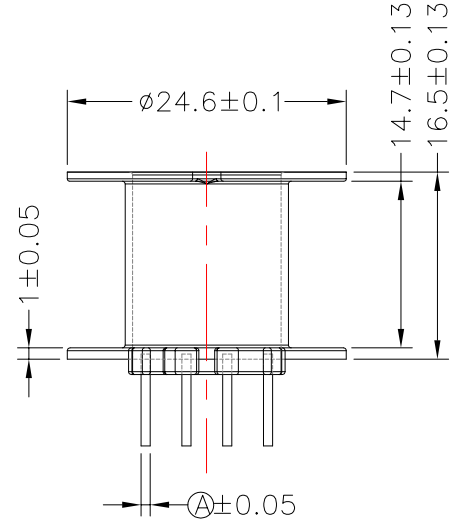
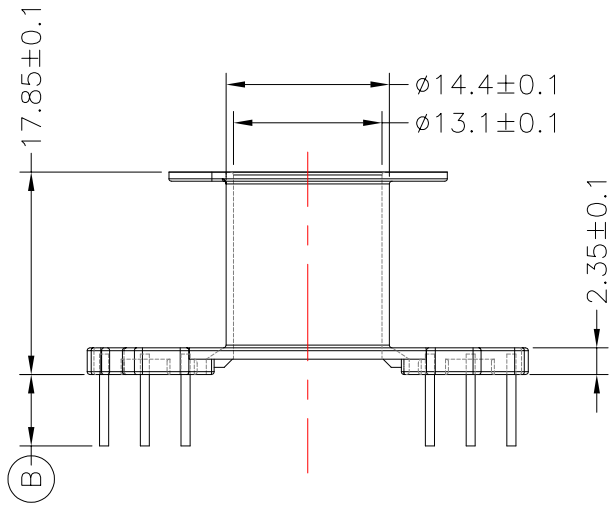
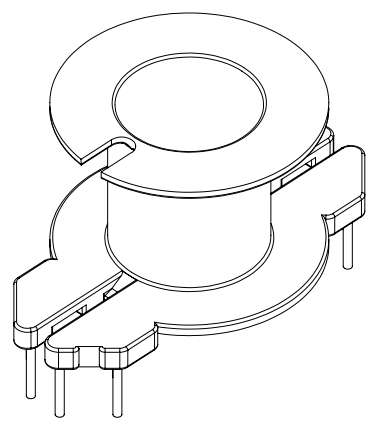
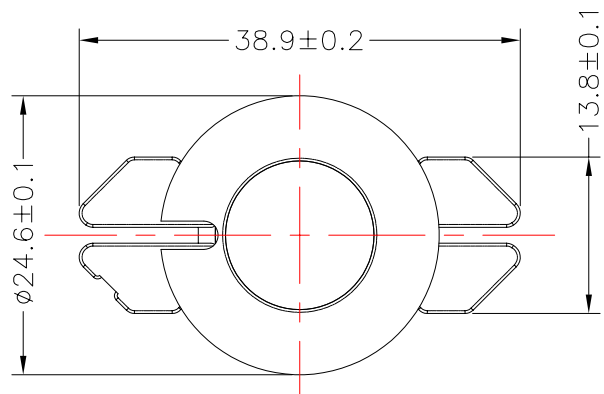


TBI TRANSFORMER BOBBIN INDUSTRIAL CO.,LTD.

Tel : 86-769-88789999 Fax : 86-769-88789989
 http:// tbi-tw.com e-mail : tb6688@ms46.hinet.net

REVISIONS				
REV	SYM	DRAFTER	CHECKER	DATE
△3		T.S.LII	W.H.HSU	06/02/03
△4		T.S.LII	W.H.HSU	02/17/04
△5		T.S.LII	W.H.HSU	07/24/06



DWG NO.	RM12-12P-TH-B-1				
PART NO.	MATERIAL (BOBBIN)	MATERIAL (TERMINAL)	TERMINAL (PLATING)	PIN ALLOCATION	NOTE
TBI-208-06021.106	PM-9630	CP WIRE	Sn	ALL PIN (A)= SQ0.6 (B)= 6.3±0.3	
△3 TBI-208-06021.116	PM-9630	CP WIRE	Sn	CUT PIN # 1,6,7,12 (A)= SQ0.6 (B)= 6.3±0.3	
△3 TBI-208-06021.126	PM-9630	CP WIRE	Sn	CUT PIN # 1, 4, 6, 7, 9, 12 (A)= SQ0.6 (B)= 5.8±0.2	
△3 TBI-208-06021.136	PM-9630	CP WIRE	Sn	CUT PIN # 1, 4, 6, 7, 9, 12 (A)= SQ0.6 (B)= 6.3±0.5±0	
TBI-208-06021.146	PM-9630	CP WIRE	Sn	CUT PIN # 1,3,4,7, 9, 10,12 (A)= SQ0.6 (B)= 6.3±0.2	
	TOLERANCE: .X±0.15 .XX±0.10 .XXX±0.05			UNIT : m / m	SCALE 1.5 : 1
Finish:	1. PB wire Immersion Sn on terminal : Thickness:Sn plating,100,5 μm (200 μ inches) min,Base nickel 0.625 μm (25 μ inches) min. 2. CP wire Immersion Sn on terminal : Thickness:Sn plating,100,5 μm (200 μ inches) min. 3. Coplanarity deviation: 0.10 mm (0.004 inches) max.				REV 5