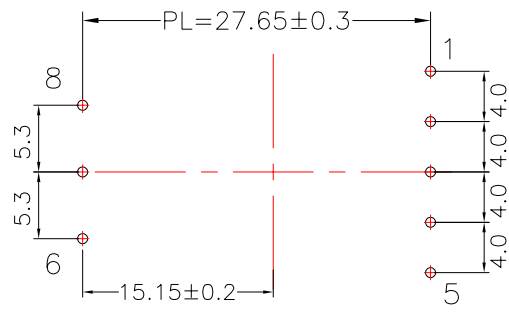
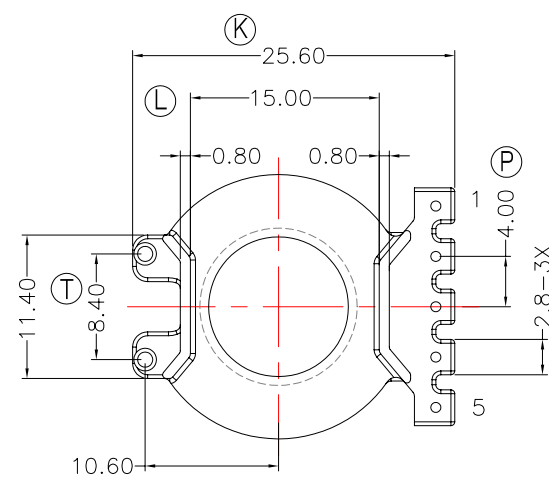
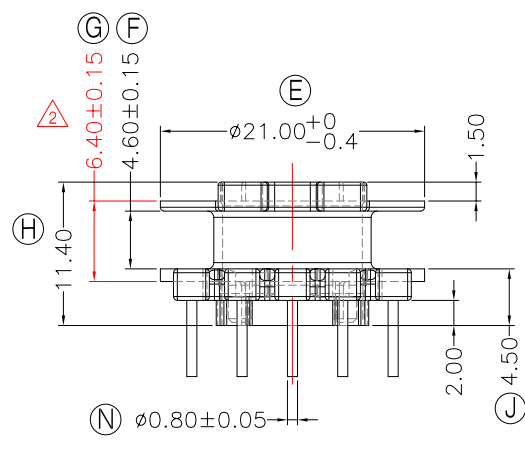
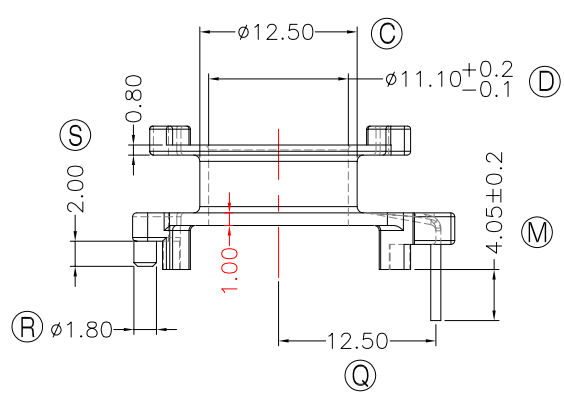
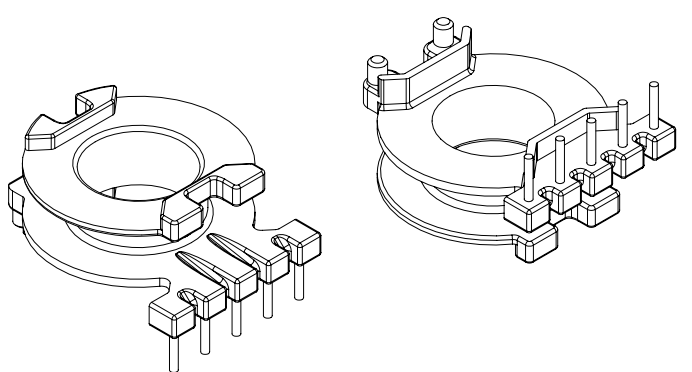
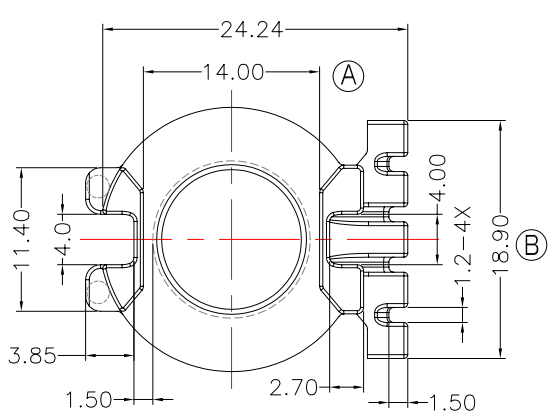


TBI TRANSFORMER BOBBIN INDUSTRIAL CO.,LTD.

Tel : 86-769-88789999 Fax : 86-769-88789989  
http:// tbi-tw.com e-mail : tb6688@ms46.hinet.net

REVISIONS

REV	SYM	DRAFTER	CHECKER	DATE
①		X.H.GU	G.F.YANG	04/07/12
②		X.H.GU	G.F.YANG	07/09/12
③				



BOBBIN與CASE組合腳位尺寸

NOTE:  
1. 任一點強度1.8kg Min;  
2. 焊前拉力:1.0kg Min; 焊後拉力1.5kg Min;  
3. BOBBIN與CASE組合後的排距, 焊前 $\pm 0.3$ MM, 焊後 $\pm 0.4$ MM;  
與TBI-208-04431.12XX(RM10-12.9G-3P-CASE-TH-D3-12)配套使用;

DWG NO.	RM10-12.9G-5P-TH-D2-12				
PART NO.	MATERIAL (BOBBIN)	MATERIAL (TERMINAL)	TERMINAL (PLATING)	PIN ALLOCATION	NOTE
TBI-208-04421.1206	PM-9820	CP WIRE	Sn	ALL PIN	S H

Finish: 1. PB wire Immersion Sn on terminal : Thickness:Sn plating,100,5  $\mu$ m (200  $\mu$  inches) min,Base nickel 0.625  $\mu$ m (25  $\mu$  inches) min.  
2. CP wire Immersion Sn on terminal : Thickness:Sn plating,100,5  $\mu$ m (200  $\mu$  inches) min.  
3. Coplanarity deviation: 0.10 mm (0.004 inches) max.

REV 2

UNIT : m / m SCALE 1 : 1