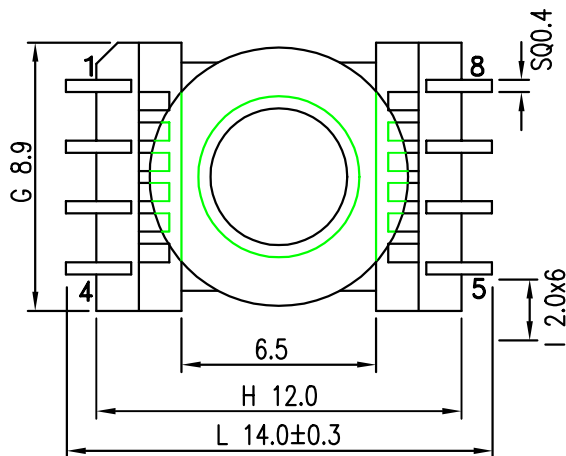
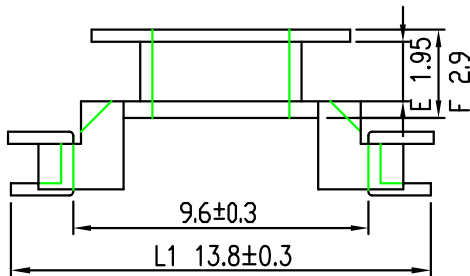
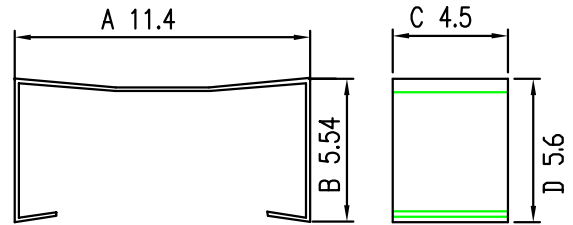
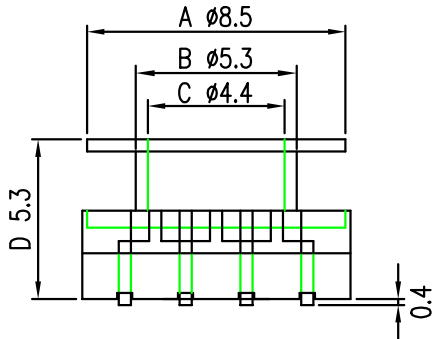




TPI NO.: SER11502

TPI NO.: SER11501



DATE	REVISED STORY	MODEL : ER-11.5-8PIN"J" TYPE (TPI NO.:SER11502) ER-11.5-CLAMP (TPI NO.:SER11501)		
6/01'02	RELEASED THE NEW DRAWING SPEC.	BOBBIN MATERIAL : Nylon 46/GF UL94V-0 PIN MATERIAL : CP WIRE (TIN PLATED) CLAMP MATERIA : STD SUS301 0.15t		
		DATE : June. 01,2002	REV.: A	TOLERANCE : .XXX±0.08 .XX ±0.1 .X ±0.2