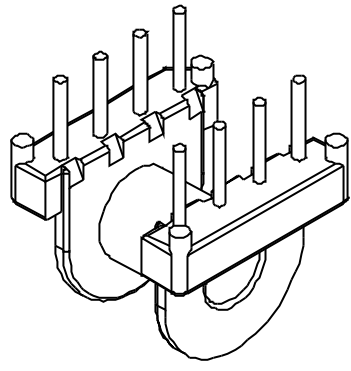
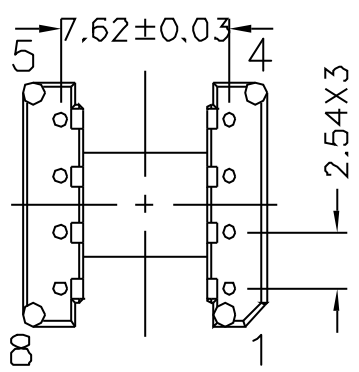
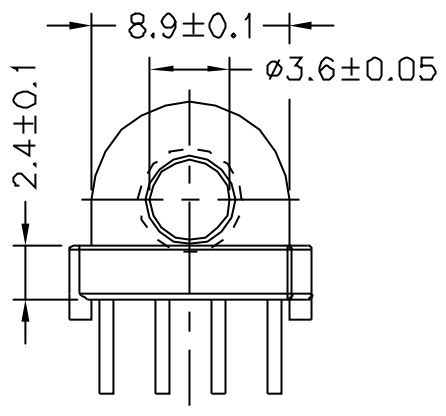
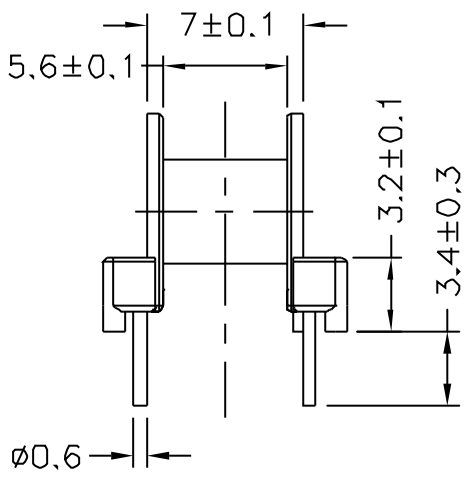
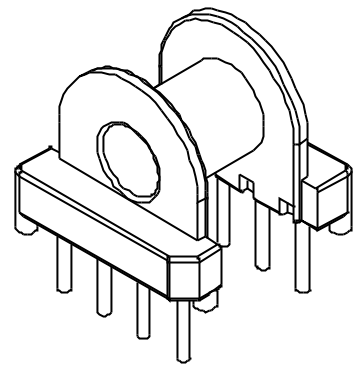
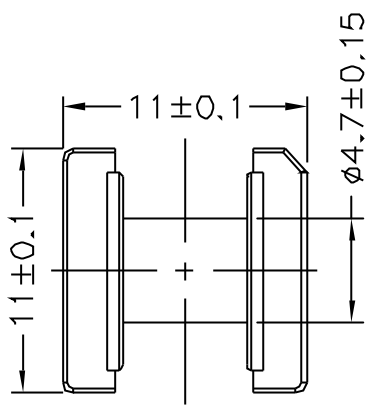


TBI TRANSFORMER BOBBIN INDUSTRIAL CO., LTD.

Phone: 886-2-22926999 Fax: 886-2-22926286
 E-MAIL: t8866@ms48.ninet.net

REVISIONS				
REV	SYM	DRAFTER	CHECKER	DATE
△		T.S.LI	W.H.HSU	08/17/01
△				
△				



PART NO. **EP10-8P-TH-2.54-A-2**
 DWG NO. **TBI-203-02011.2XX**

TBI NO.	MATERIAL (BOBBIN)	MATERIAL (TERMINAL)	TERMINAL (PLATING)
203-02011.2XX	AM-113	CP WIRE	Au

PART NO.	REV	MODE NO.	ALL PIN
			PIN LOCATION
Finish: 1. Immersion gold on terminal. Thickness gold 0.075 μm (3 μ inches) min. Base nickel 0.025 μm (25 μ inches) min. 2. Coplanarity deviation: 0.004 inches max.			TOLERANCE $\frac{X}{XX}\%$ UNIT mm SCALE 3:1 REV 1