

TBI TRANSFORMER BOBBIN INDUSTRIAL CO.,LTD.

Tel : 86-769-88789999 Fax : 86-769-88789989
 http:// tbi-tw.com e-mail : tb6688@ms46.hinet.net

REVISIONS				
REV	SYM	DRAFTER	CHECKER	DATE
△0		Y.G.HSU	W.H.HSU	06/07/07
△1		YAN.TANG	W.H.HSU	06/14/07
△2		YAN.TANG	W.H.HSU	08/16/07

A

B

C

D

E

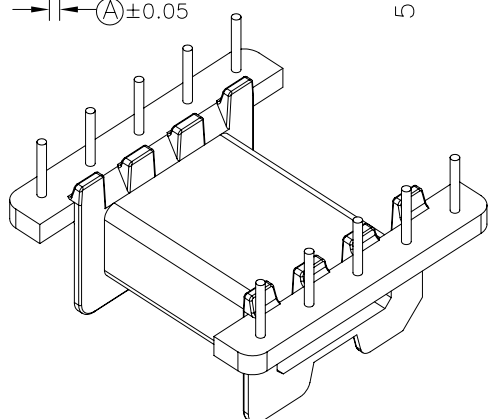
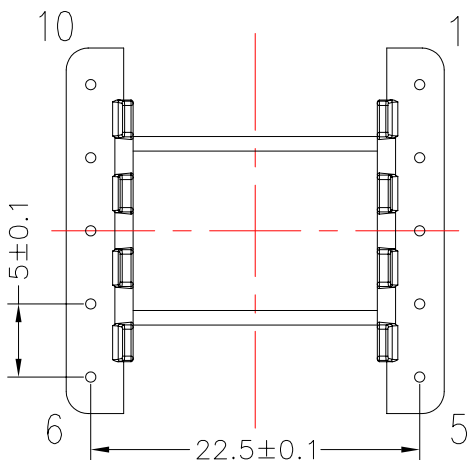
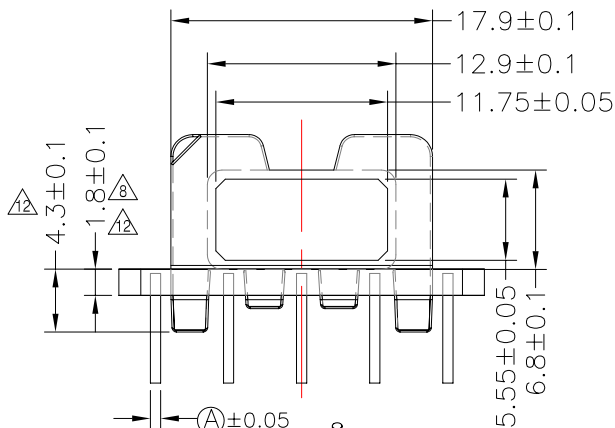
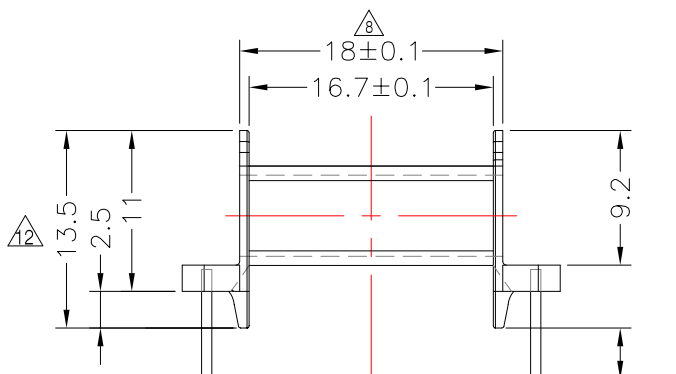
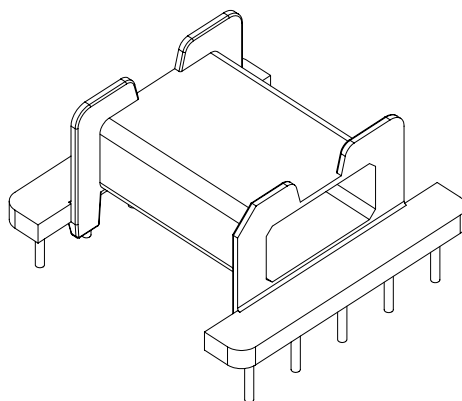
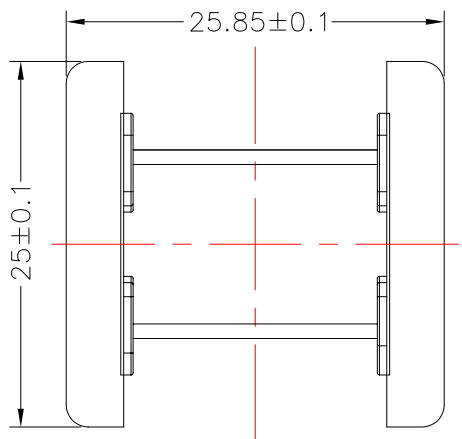
A

B

C

D

E



塑件本體共面度請參考圖框下"備註3"

DWG NO.	EFD25-10P-TH-5-A-1				
PART NO.	MATERIAL (BOBBIN)	MATERIAL (TERMINAL)	TERMINAL (PLATING)	PIN ALLOCATION	NOTE
TBI-207-02011.106	PM-9630	CP WIRE	Sn	ALL PIN (A)= ϕ 0.7 (B)= 3.5 ± 0.3	
TBI-207-02011.116	PM-9630	CP WIRE	Sn △6	ALL PIN (A)=SQ 0.55 (B)= 2.9 ± 0.2	15-1013-00
TBI-207-02011.126	PM-9630	CP WIRE	Sn △6	CUT PIN 5,6 (A)=SQ 0.55 (B)= 2.9 ± 0.3	15-1013-01
TBI-207-02011.136	PM-9630	CP WIRE	Sn	ALL PIN (A)=SQ 0.6 (B)= 3.5 ± 0.3	
TBI-207-02011.146	PM-9630	CP WIRE	Sn	ALL PIN (A)= ϕ 0.7 (B)= 5.0 ± 0.3	
TBI-207-02011.156	PM-9630	CP WIRE	Sn	CUT PIN #1 (A)=SQ0.6 (B)= 3.05 ± 0.25	MG515-00122
TBI-207-02011.166	PM-9630	CP WIRE	Sn	ALL PIN (A)= ϕ 0.7 (B)= $3.5+0.5/-0$	
TBI-207-02011.176	PM-9630	CP WIRE	Sn	CUT PIN#3 (A)= ϕ 0.7 (B)= 3.5 ± 0.3	
TBI-207-02011.186	PM-9630	CP WIRE	Sn	ALL PIN (A)= ϕ 0.7 (B)= 4.0 ± 0.3	
TBI-207-02011.196	PM-9630	CP WIRE	Sn	ALL PIN (A)=SQ 0.6 (B)= 2.5 ± 0.2	
TBI-207-02011.1A6	PM-9630	CP WIRE	Sn	ALL PIN (A)= ϕ 0.7 (B)= 5.5 ± 0.3	暫無刀模

TOLERANCE: .X \pm 0.15 .XX \pm 0.10 .XXX \pm 0.05 UNIT : m / m SCALE 2 : 1

Finish: 1.PB wire Immersion Sn on terminal : Thickness:Sn plating,100%,5 μ m (200 μ inches) min,Base nickel 0.625 μ m (25 μ inches) min.
 2.CP wire Immersion Sn on terminal : Thickness:Sn plating,100%,5 μ m (200 μ inches) min.
 3. Coplanarity deviation: 0.10 mm (0.004 inches)max.

REV 12