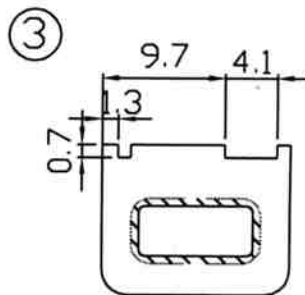
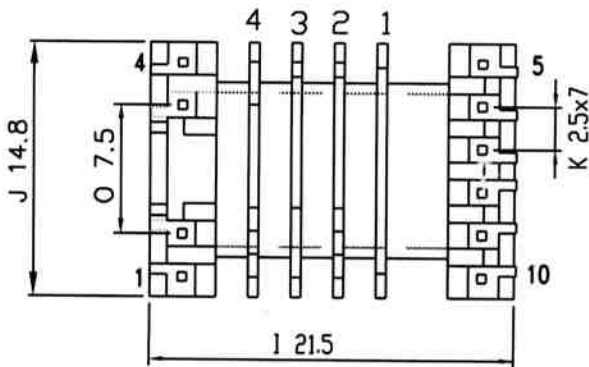
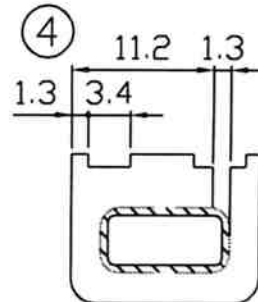
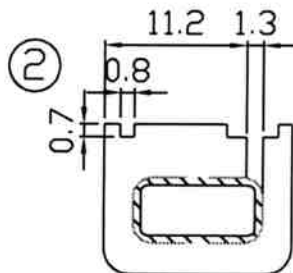
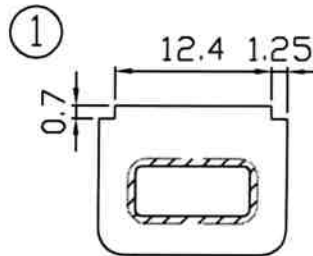
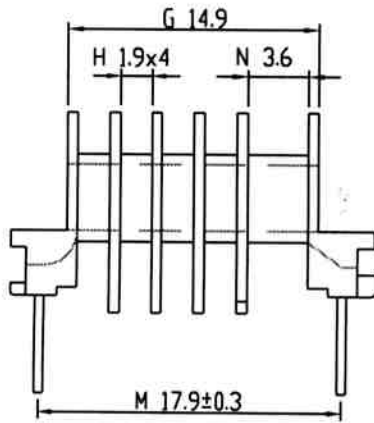
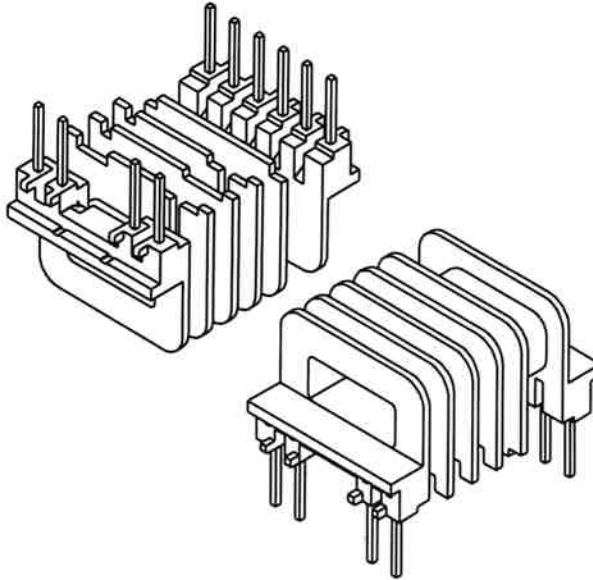
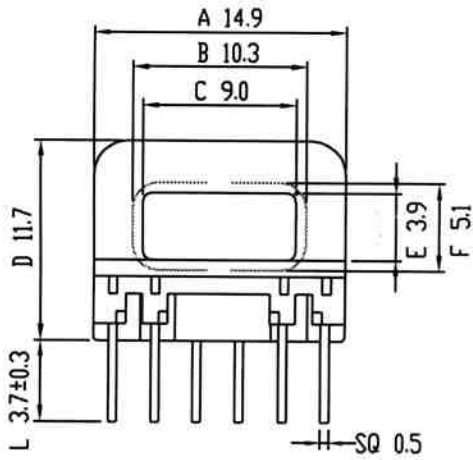


TPI NO.: 2102003



DATE	REVISED STORY	MODEL : EFD-20-10PIN-5SEC (TPI NO. : 2102003)		
4/08/05	RELEASED THE NEW DRAWING SPEC.	BOBBIN MATERIAL : LCP UL94V-0		
		PIN MATERIAL : CP WIRE (TIN PLATED)		
		CLAMP MATERIAL :		
		DATE : Apr 08,2005	REV.: A	TOLERANCE : .XXX±0.08 .XX ±0.1 .X ±0.2