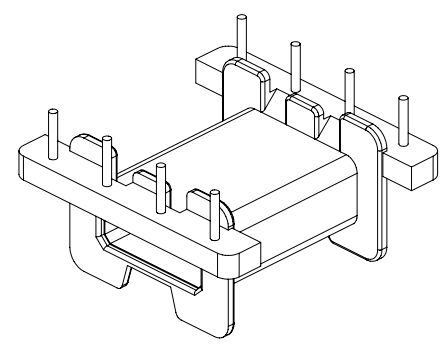
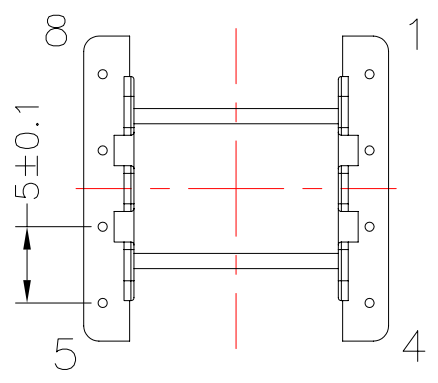
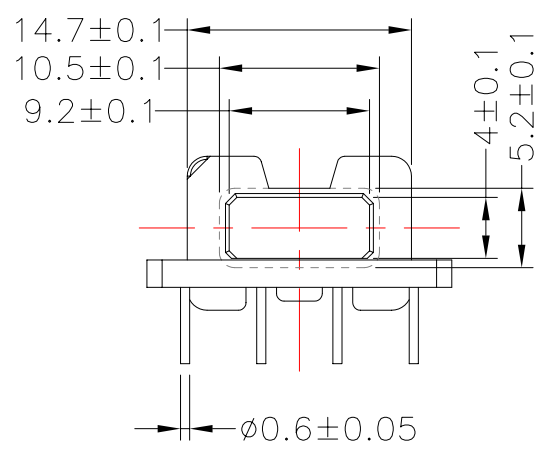
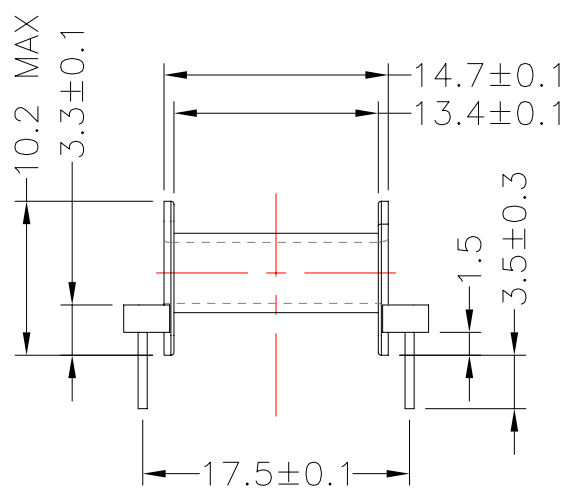
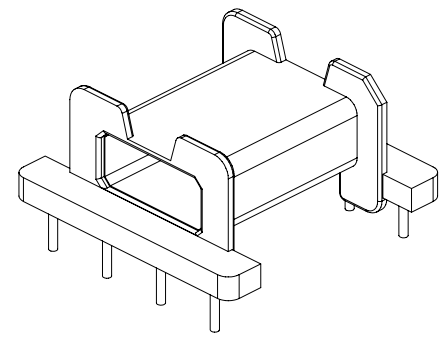
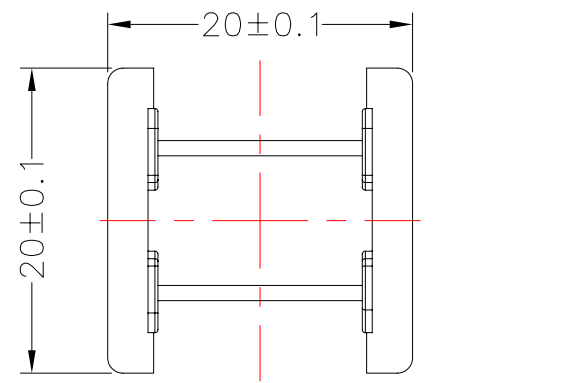


REVISIONS				
REV	SYM	DRAFTER	CHECKER	DATE
3		T.S.LII	W.H.HSU	06/02/03
4		T.S.LII	W.H.HSU	12/17/04
5		T.S.LII	W.H.HSU	07/24/06

A  
B  
C  
D  
E  
F

A  
B  
C  
D  
E  
F



DWG NO.	EFD20-8P-TH-5.0-A-1				
PART NO.	MATERIAL (BOBBIN)	MATERIAL (TERMINAL)	TERMINAL (PLATING)	PIN ALLOCATION	NOTE
TBI-207-01011.106	PM-9630	CP WIRE	Sn	ALL PIN	
TBI-207-01011.116	PM-9630	CP WIRE	Sn	CUT PIN # 1,8	
	TOLERANCE: .X±0.15 .XX±0.10 .XXX±0.05			UNIT : m / m	SCALE 2 : 1

Finish: 1. PB wire Immersion Sn on terminal : Thickness:Sn plating,100,5 μm (200 μ inches) min,Base nickel 0.625 μm (25 μ inches) min.  
 2. CP wire Immersion Sn on terminal : Thickness:Sn plating,100,5 μm (200 μ inches) min.  
 3. Coplanarity deviation: 0.10 mm (0.004 inches) max.