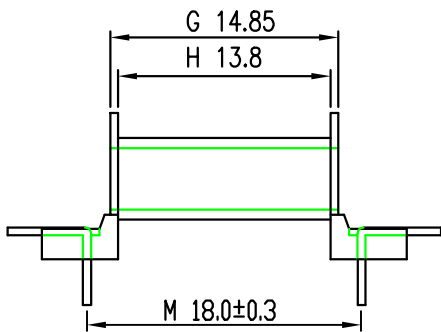
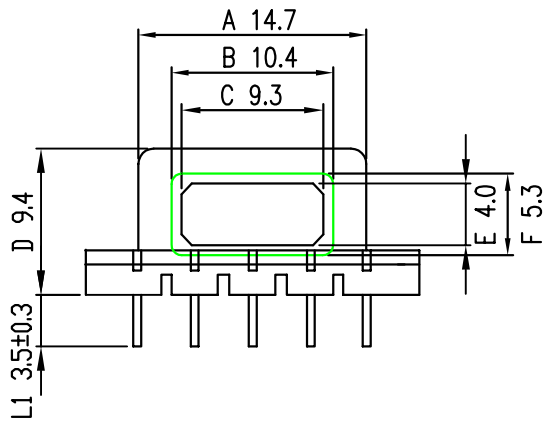
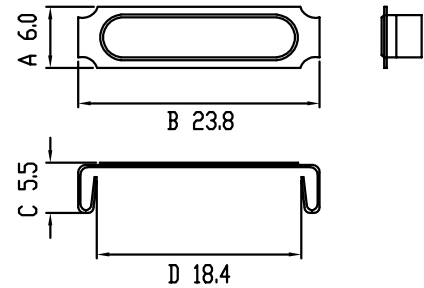




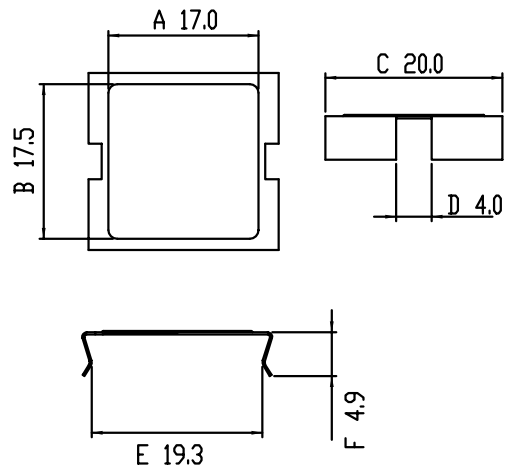
TPI NO.: 2102005



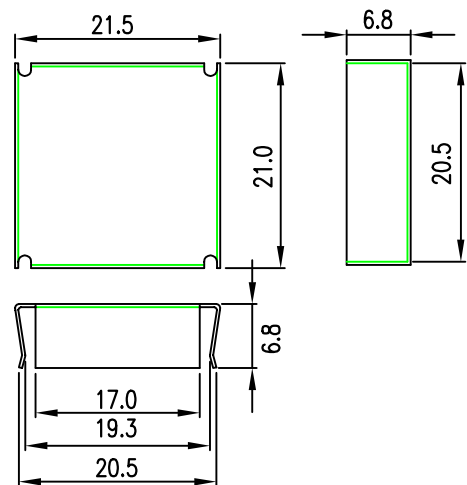
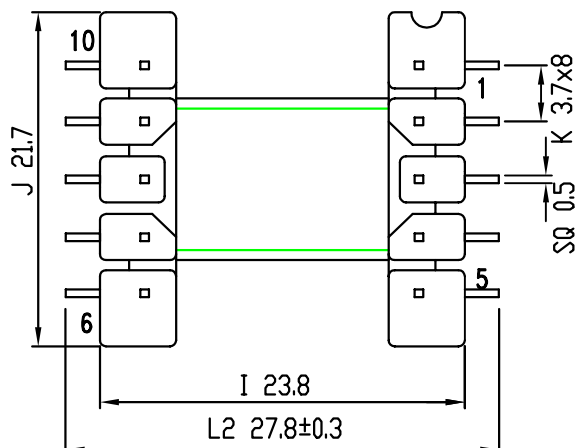
TPI NO.: 2102001-1



TPI NO.: 2102001-2



TPI NO.: 2102001-3



DATE	REVISED STORY	MODEL :	REV.:	TOLERANCE :
6/01'02	RELEASED THE NEW DRAWING SPEC.	EFD-20-10PIN (TPI NO. : 2102005) EFD-20-CLAMP (TPI NO. : 2102001-1/-2/-3)	A	.XXX±0.08 .XX ±0.1 .X ±0.2
		BOBBIN MATERIAL : LCP ; Nylon 46/GF UL94V-0 PIN MATERIAL : CP WIRE (TIN PLATED) CLAMP MATERIAL : 2102001-1/-2/-3.: STD SUS301 0.3t		
		DATE : June 01,2002		