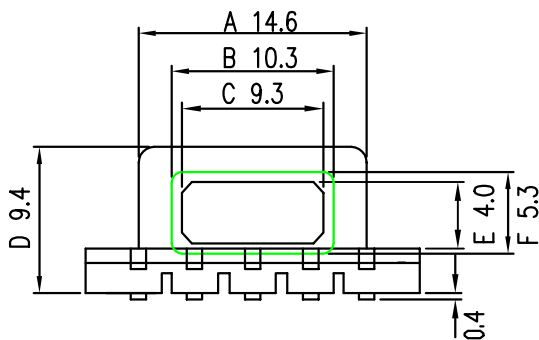
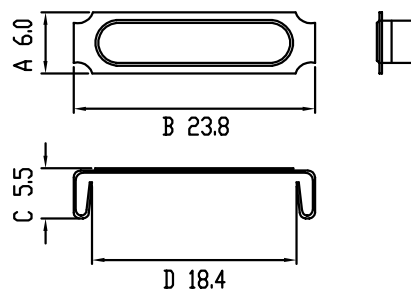




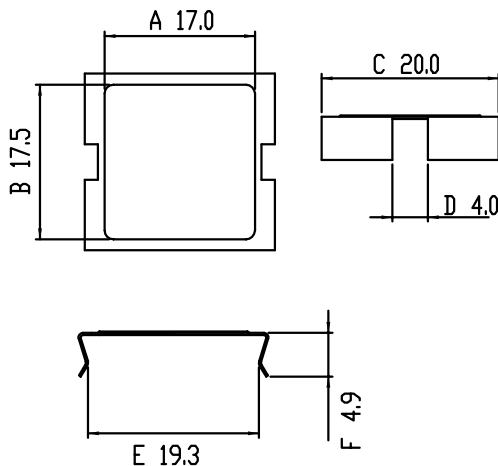
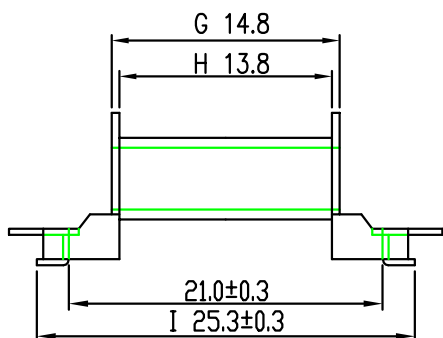
TPI NO.: SEFD2001



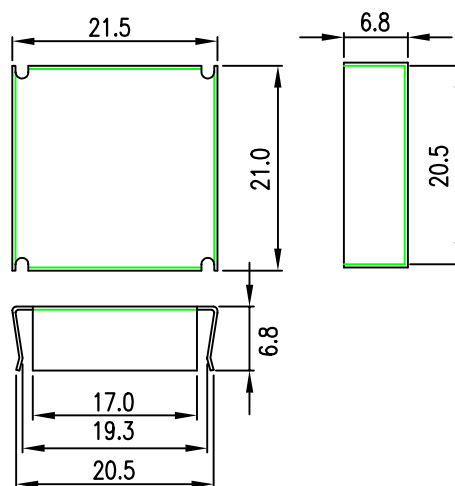
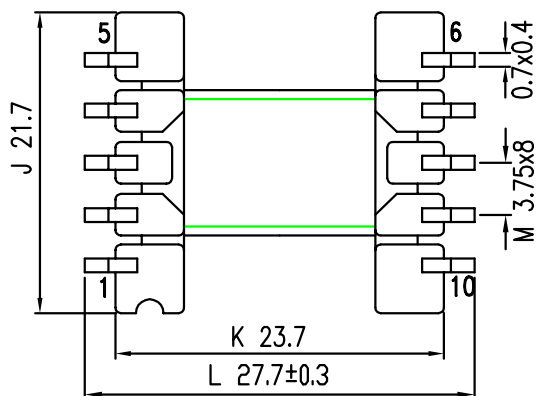
TPI NO.: SEFD2001-1



TPI NO.: SEFD2001-2



TPI NO.: SEFD2001-3



DATE	REVISED STORY	MODEL : EFD-20-10PIN "J" TYPE (TPI NO.:SEFD2001) EFD-20-CLAMP (TPI NO.:SEFD2001-1/-2/-3)
6/01'02	RELEASED THE NEW DRAWING SPEC.	BOBBIN MATERIAL : Nylon 46/GF UL94V-0 PIN MATERIAL : PHOSPHORUS BRONZE (TIN PLATED) CLAMP MATERIAL : SEFD2001-1/-2/-3.: STD SUS301 0.3t
		DATE : June. 01,2002 REV. : A TOLERANCE : .XXX±0.08 .XX ±0.1 .X ±0.2