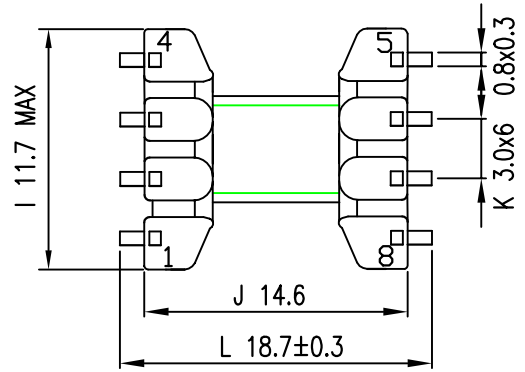
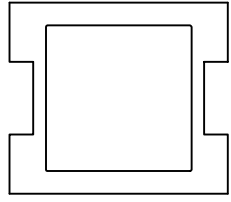
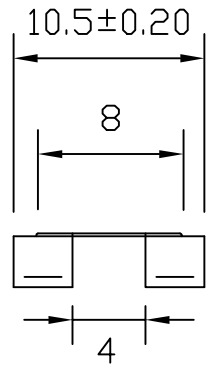
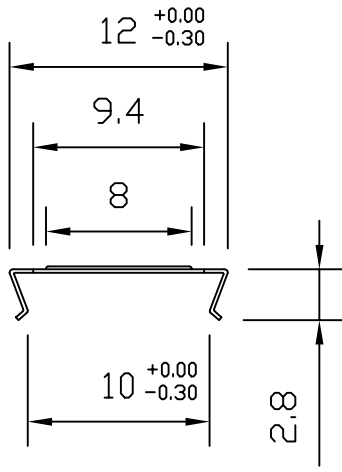
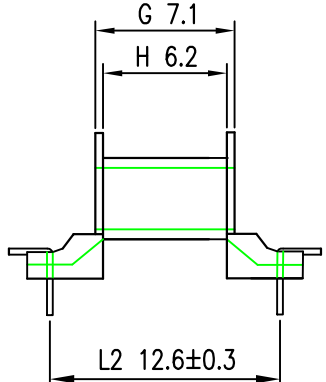
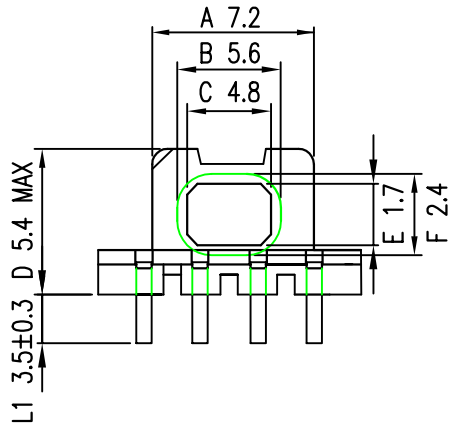


TPI NO. 2101001

TPI NO. 2101001-2



DATE	REVISED STORY	MODEL : EFD-10-8PIN (TPI NO.: 2101001) EFD-10-CLIP (TPI NO.: 2101001-2)		
6/01'02	RELEASED THE NEW DRAWING SPEC.	BOBBIN MATERIAL : LCP UL94V-0 PIN MATERIAL : PHOSPHORUS BRONZE (TIN PLATED) CLIP MATERIAL : STAINLESS STEEL 0.2T		
		DATE : June. 01,2002	REV.: A	TOLERANCE : .XXX±0.08 .XX ±0.1 .X ±0.2