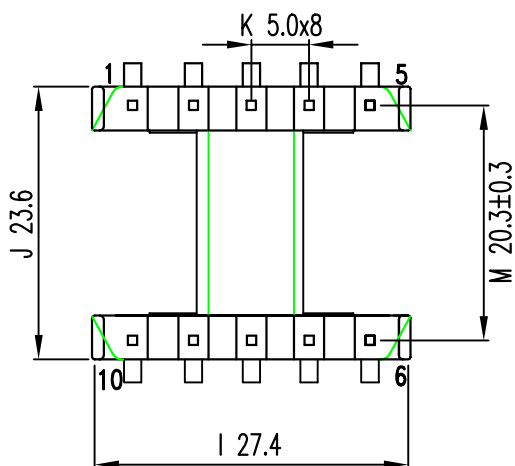
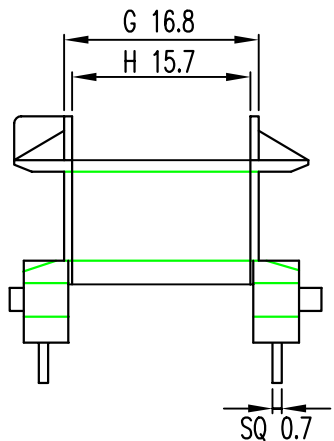
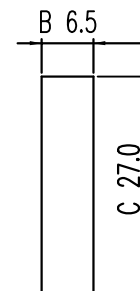
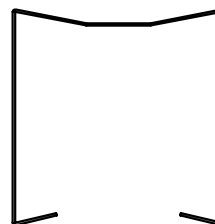
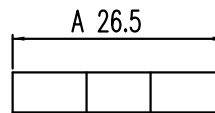
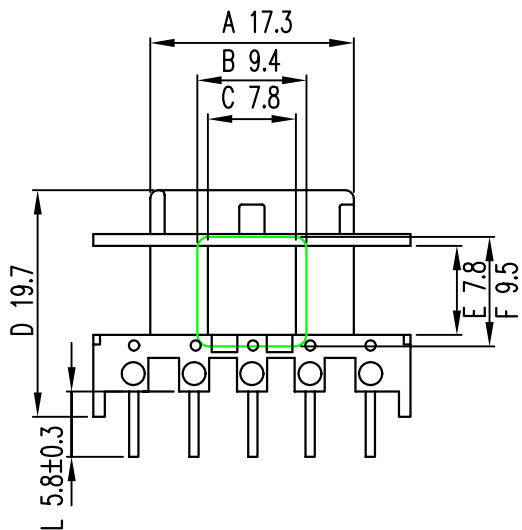


TPI NO.: 2002506

TPI NO.:2002505-1



DATE	REVISED STORY	MODEL :	EF-25-10PIN (TPI NO.:2002506) EF-25-CLAMP (TPI NO.:2002505-1)	
6/01'02	RELEASED THE NEW DRAWING SPEC.	BOBBIN MATERIAL :	Nylon 46/GF UL94V-0	
		PIN MATERIAL :	CP WIRE (TIN PLATED)	
		CLAMP MATERIAL :	STD SUS301 0.3t	
		DATE :	REV.:	TOLERANCE :
		June 01,2002	A	.XXX±0.08 .XX ±0.1 .X ±0.2