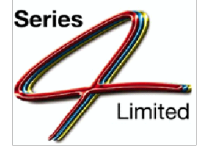


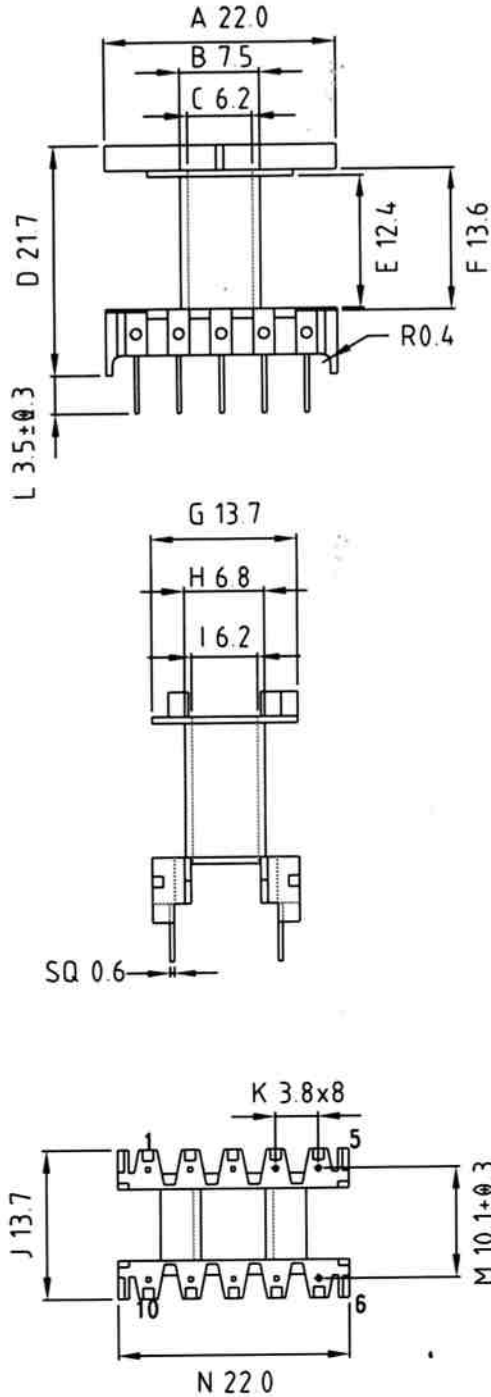


台灣高分子工業股份有限公司

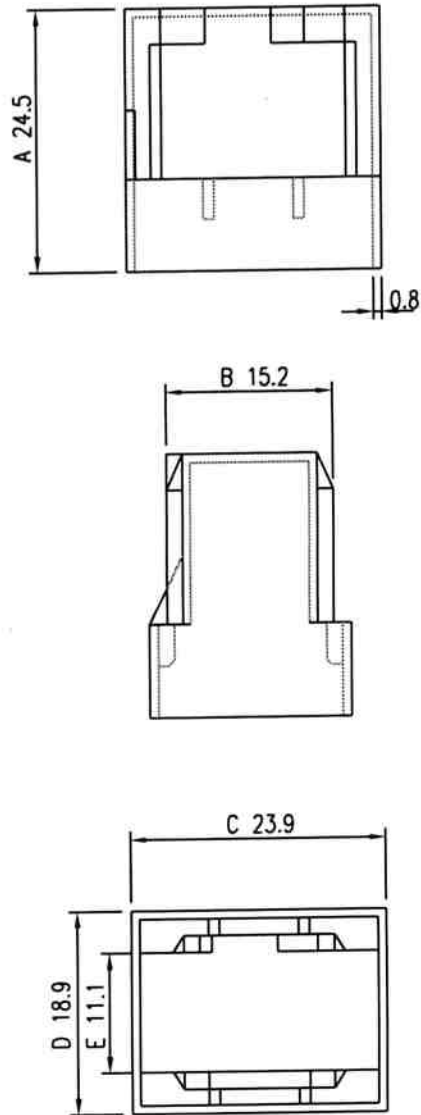
TAIWAN POLYMER INDUSTRIAL CO., LTD. PRODUCT SPEC.



TPI NO.: 2002004



TPI NO.: 2002005



DATE	REVISED STORY	MODEL :	EF20-10PIN (TPI NO.:2002004) EF20-10PIN-CAP (TPI NO.:2002005)
6/01'02	RELEASED THE NEW DRAWING SPEC.	BOBBIN MATERIAL :	2002004 PET/GF UL94V-0 2002005 PBT/GF UL94V-0
6/03'18	Boss dim change from r0.2 to r0.4	PIN MATERIAL :	CP WIRE (TIN PLATED)
		DATE :	June 01,2002
		REV.:	A
		TOLERANCE :	.XXX±0.08 .XX ±0.1 .X ±0.2