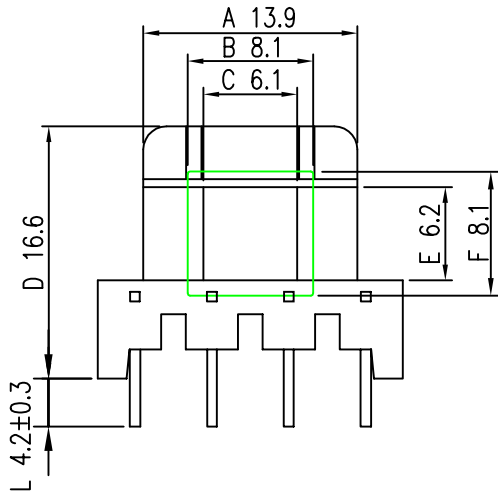
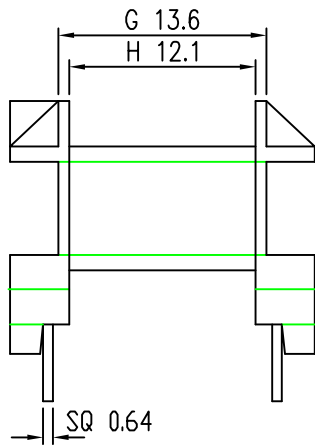
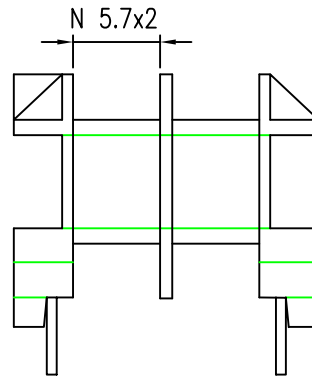




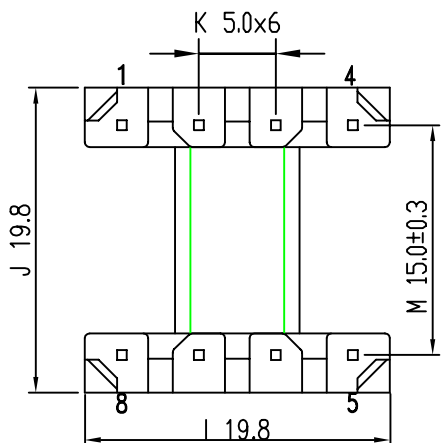
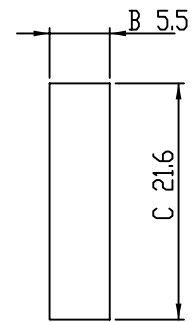
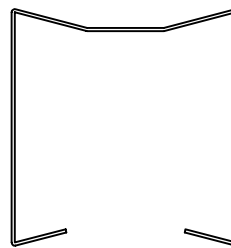
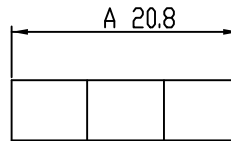
TPI NO.: 2002002



TPI NO.: 2002003



TPI NO.: 2002002-1



DATE	REVISED STORY	MODEL :	EF-20-8PIN-1SEC (TPI NO.:2002002) EF-20-8PIN-2SEC (TPI NO.:2002003) EF-20-CLAMP (TPI NO.:2002002-1)	
6/01'02	RELEASED THE NEW DRAWING SPEC.	BOBBIN MATERIAL :	PET/GF BK UL94V-0	
		PIN MATERIAL :	CP WIRE (TIN PLATED)	
		CLAMP MTERIAL :	STD SUS301 0.3t	
		DATE :	REV.:	TOLERANCE :
		June 01,2002	A	.XXX±0.08 .XX ±0.1 .X ±0.2