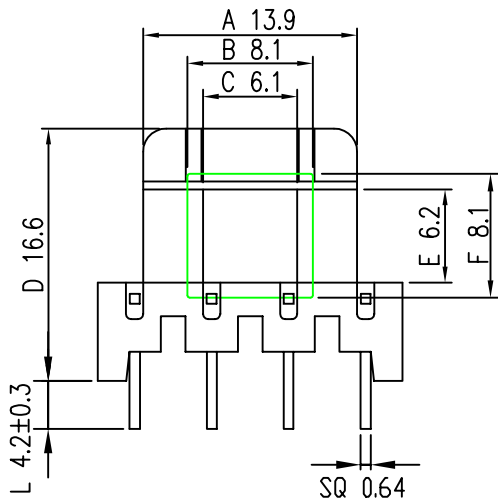
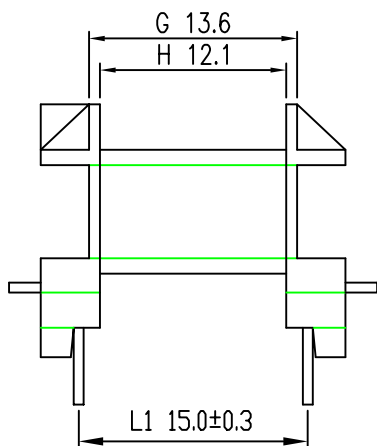
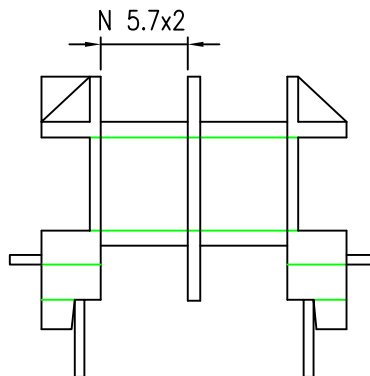




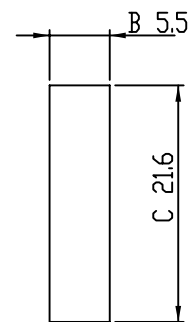
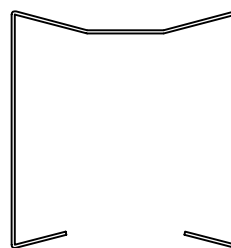
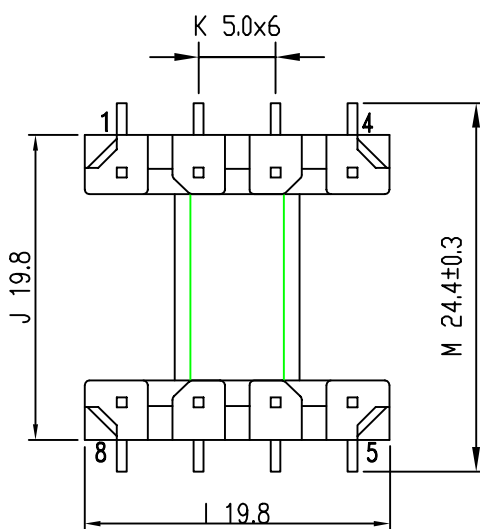
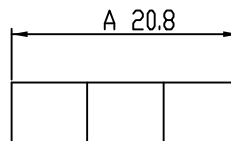
TPI NO.: 2002006



TPI NO.: 2002007



TPI NO.: 2002002-1



DATE	REVISED STORY	MODEL :	EF-20-8PIN-1SEC (TPI NO.:2002006) EF-20-8PIN-2SEC (TPI NO.:2002007) EF-20-CLAMP (TPI NO.:2002002-1)
6/01'02	RELEASED THE NEW DRAWING SPEC.	BOBBIN MATERIAL :	PET/GF BK UL94V-0
		PIN MATERIAL :	CP WIRE (TIN PLATED)
		CLAMP MTERIAL :	STD SUS301 0.3t
		DATE :	June 01,2002
		REV.:	A
		TOLERANCE :	.XXX±0.08 .XX ±0.1 .X ±0.2