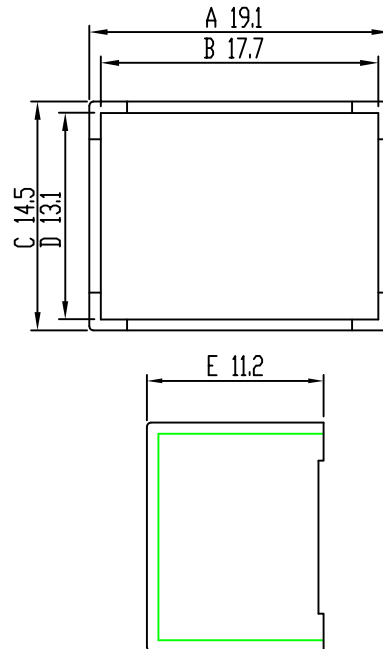
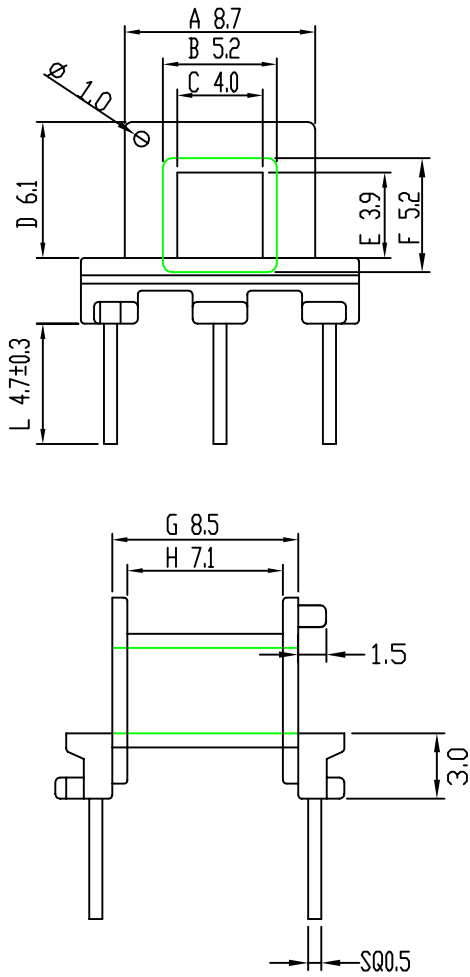


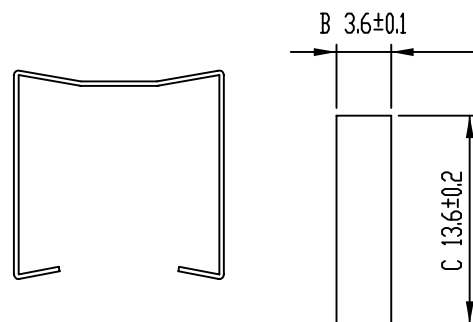
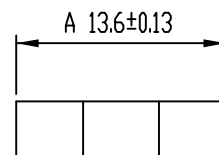
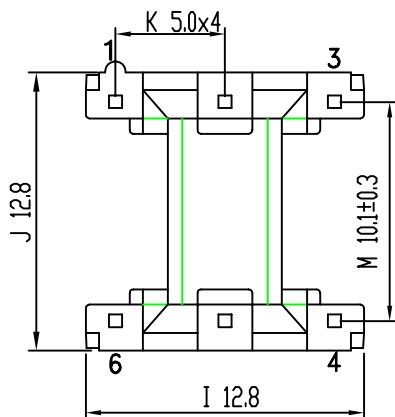


TPI NO.: 2001203

TPI NO.: 2001205



TPI NO.: 2001203-1



DATE	REVISED STORY	MODEL :	EF-12.6-6PIN-1SEC (TPI NO.:2001203) EF-12.6 CASE (TPI NO.:2001205) EF-12.6-CLAMP (TPI NO.:2001203-1)
6/01'02	RELEASED THE NEW DRAWING SPEC.	MATERIAL :	BOBBIN : PHENOLIC RESIN UL94V-0 CASE : PBT/GF UL94V-0
		PIN MATERIAL :	CP WIRE (TIN PLATED)
		CLAMP MATERIAL:	STD SUS301 0.3t
		DATE :	REV.:
		June 01,2002	A
		TOLERANCE :	.XXX ±0.08 .XX ±0.1 .X ±0.2