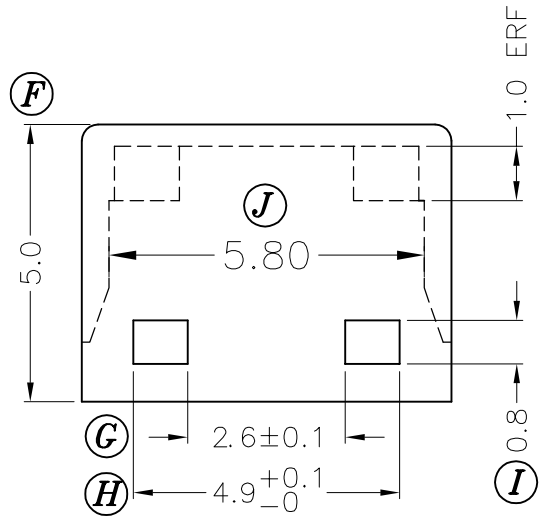
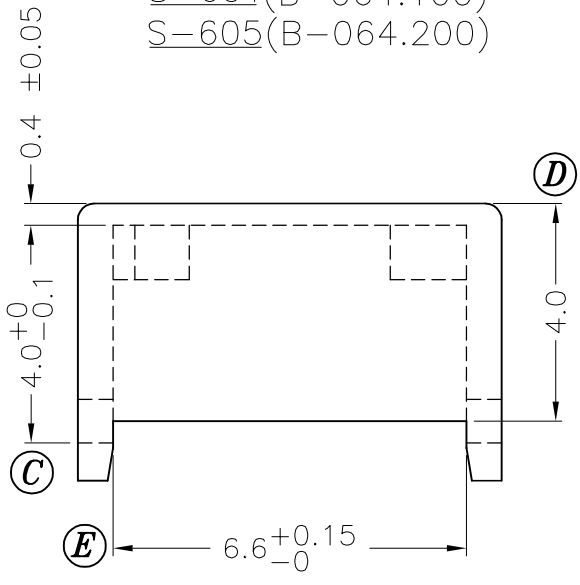


S-601(B-064.100)
S-605(B-064.200)



C-064.001L(B-064C)

REV.	REVISIONS	REC.	DATE.	REV.	REVISIONS	REC.	DATE.
1	首次發行		'23.5.04				
	變更(I).(J)尺寸規格公差		'25.4.05				

DRAWN & DRAFTED BY YANG JIAN	TOLERANCES		ANGLE: ±1°	TITLE: COVER EE-6.3		
	0<L≤4 ±0.1	pin pitch	UNIT: MM	BOBBIN MATERIAL: LCP E4008 BK	UL REC. UL 94V-0	
CHECKED & APPROVED BY YE JIN HONG	4<L≤16 ±0.2		ORIGIN: DG	PIN MATERIAL:	PIN TENSION LOAD:	
	16<L≤63 ±0.3					
PIN SHINE INDUSTRIAL CO., LTD. TEL:886-2-22990545 FAX:886-2-22990545				DATE: APR 25.2005	DRAWING NO. C-064	REV. 0