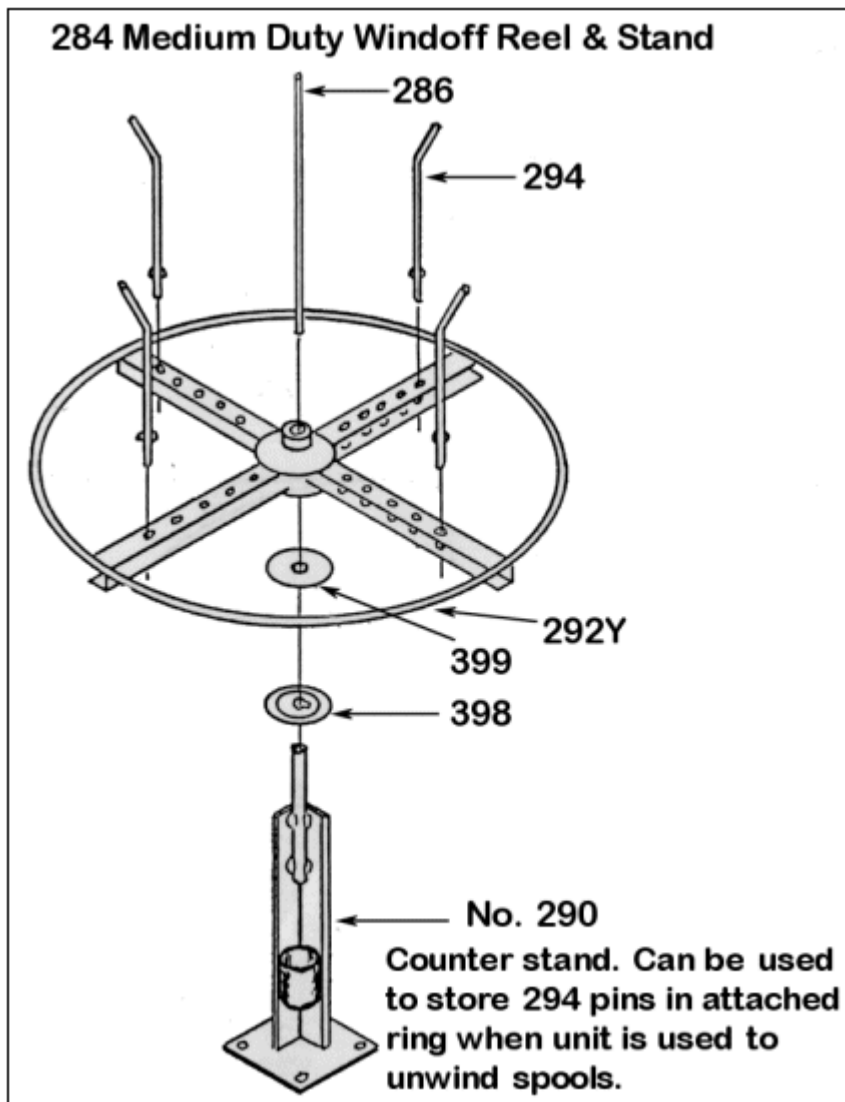


**Install parts in order as shown below.**

To accommodate larger coils, a plywood extension top may be constructed. See Below.

**WARRANTY:** The 284 is warranted against defects In material or workmanship for one year from date of purchase.

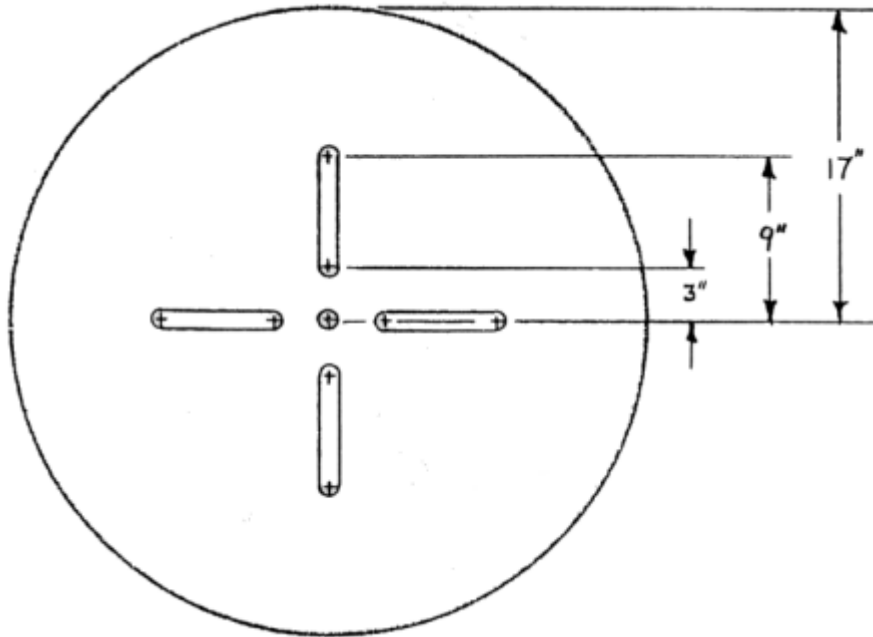
<u>Part Number</u>	<u>Qty</u>	<u>Description</u>
286	1	Centre Post Extension
290	1	Stand
292Y	1	Arm Assembly
294	4	Side Pins
398	1	Disc
399	1	Friction Washer



## OPTIONAL PLYWOOD EXTENSION TOP

To increase capacity of windoff reel nos 284 for large diameter coils of wire or rope, construct a top by following these instructions. Four slotted holes allow for easy adjustment of four vertical pins. Center hole allows insertion of centre post for spooled material.

(Note no responsibility can be accepted by Series 4 Ltd from customers who perform this modification this information is for guidance only)



Material: 1/2" plywood at lease 34" square.

Tools required: Sabre Saw, Drill and 1" Bit.

Saw circle with 17" Radius.

Layout and drill nine 1" holes (pairs to be 90o to each other off centre hole) per drawing. Connect each outside pair of holes to from four 1" x 7" slots.

Sand edges of slots and rim of disc.

Finish with varnish, paint, etc if desired.