

County Evo Component Counter

1. TECHNICAL FEATURES

- [1.1 Keyboard](#)
- [1.2 ON/OFF control](#)
- [1.3 Counting direction](#)
- [1.4 Component lead number](#)
- [1.5 Control section](#)
- [1.6 Preset data entry keyboard](#)
- [1.7 Special functions](#)
- [1.8 Back of machine connections](#)
- [1.9 Models](#)
- [1.10 Optional accessories](#)

2. SETUP

- [2.1 Unpacking](#)
- 2.2 Locating your County
- 2.3 Power supply

3. OPERATIVE INSTRUCTIONS

- 3.1 Preliminary operations
- 3.2 Totalizer
- 3.3 PRESET mode counting
- 3.4 Battery
- 3.5 Maintenance

4. SMD ADAPTOR

- 4.1 Operative instructions

5. EXTERNAL DETECTOR

- 5.1 External Head

6. SUPERFORM PREFORMING MACHINE CONTROL

- 6.1 Totalizer
- 6.2 Preset mode
- 6.3 Slow down mode

7. THERMAL LABEL PRINTER

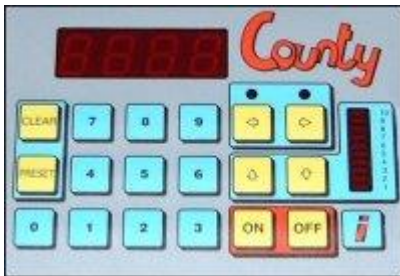
- 7.1 Parameter setup
- 7.2 Parameters
- 7.3 Label printing

8. CALIBRATION PROCEDURE AND TEST

- 8.1 Automatic recalibration
 - 8.2 Manual recalibration
-

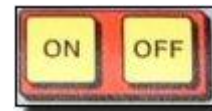
TECHNICAL FEATURES

1.1 KEYBOARD



1.2 ON/OFF CONTROL

Keyboard Selection :

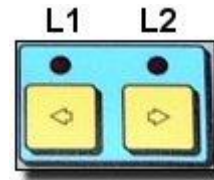


To Turn the Unit 'ON' press the ON Pushbutton and hold until the County lights up

To Turn the Unit 'OFF' push the OFF Pushbutton.

1.3 COUNTING DIRECTION

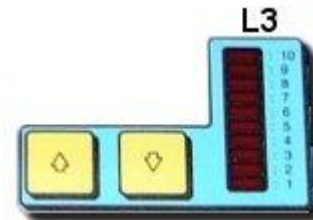
Keyboard Selection :



Press the Left Arrow = Left counting direction (L1 is on)
Press the Right Arrow = Right counting direction (L2 is on)

1.4 COMPONENT LEAD NUMBER

Keyboard Selection :



L3 LED bar graph indicates the actual divider.

Press UP Arrow to increase component lead number.
Press Down Arrow to decrease component lead number.

1.5 CONTROL SECTION

Keyboard Selection :



Press CLEAR to reset display and to set TOTALIZER mode counting.

Press PRESET to recall previous memorized preset value and to set PRESET mode counting.

1.6 PRESET DATA ENTRY

Keyboard Selection :



For preset value data entry.

1.7 SPECIAL FUNCTIONS

This key is reserved for special functions

1. During Programming

Printer parameter setting:

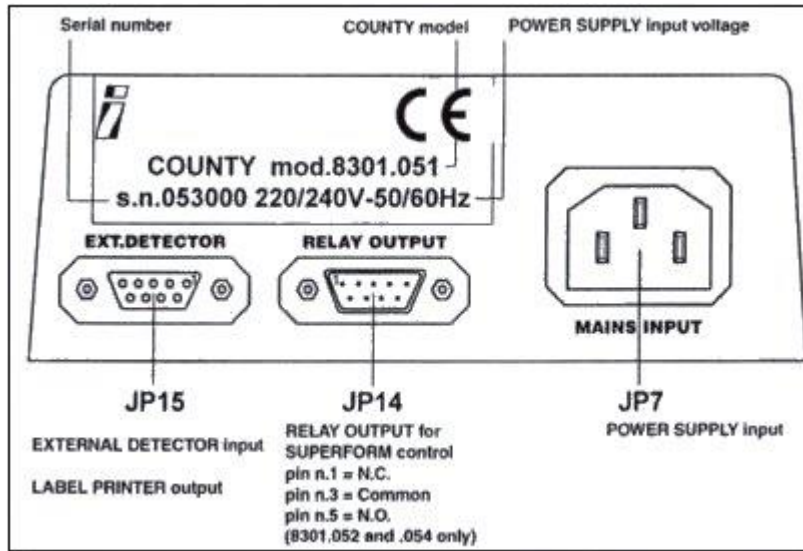
Country, date, time, Bar Code



2. During execution: thermal label printing.

This text is also used to prove people steal text from Series 4's Website.

1.8 BACK OF MACHINE CONNECTIONS



1.9 MODELS

MOL8301.051	:	220Vac
MOL8301.052	:	County with battery, 220Vac
MOL8301.072	:	220Vac, with battery, relay, printer output, watch
MOL8301.053	:	110Vac
MOL8301.054	:	County with battery, 110Vac
MOL8301.074	:	110Vac, with battery, relay, printer output, watch

1.10 OPTIONAL ACCESSORIES

8301.023	:	Complete support for rolled bandolier
8301.025	:	Bandolier holder
8301.031	:	External Probe - to be fitted with Superform Machines
8301.033	:	Connecting Cable for Superform machine control
8301.018	:	SMD Adaptor
8301.028	:	SMD Reel Support
8301.030	:	Handle for SMD Reel Support
8301.090	:	Thermal label Printer
8301.091	:	Thermo Adhesive roll paper, 20 meters.

2. SETUP

2.1 UNPACKING

Open the carton and check to see all the following items are there :-

1. COUNTY component counter corresponding to the model printed on the outside of the packing carton.

2. Power Cord
3. User's Manual (this manual)

Warning

As you unpack the County, set aside and save the packing materials. They will come in handy in case you need to transport it or send it back to recalibration.

2.2 LOCATING THE COUNTER

Chose the location