



Series4 Data Sheet

Visit us on the WEB www.series4.co.uk

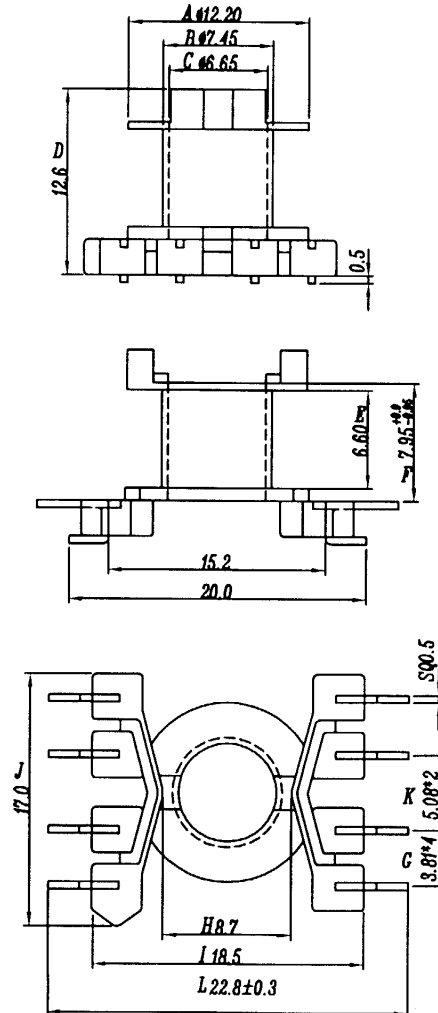


Westwood Court, Calmore Industrial Estate, Totton, Hampshire, SO40 3WX England

Tel: +44 (0)23 80 866377

Fax: +44 (0)23 80 866323

Email: paul.m@series4.co.uk



BOBBIN NAME: RM-6

Series 4 Part No: BCRM6-1-8-JPIN

OLD REF: S014

SPECIFICATION: 1 SECTION 8 PINS J TYPE SMD

BOBBIN MATERIAL: N46

PIN MATERIAL: CP WIRE (TIN PLATED)

UL RATING: 94V-0

TOLERANCE: .XXX +/- 0.8

.XX +/- 0.1

.X +/- 0.2

UNIT: MM