



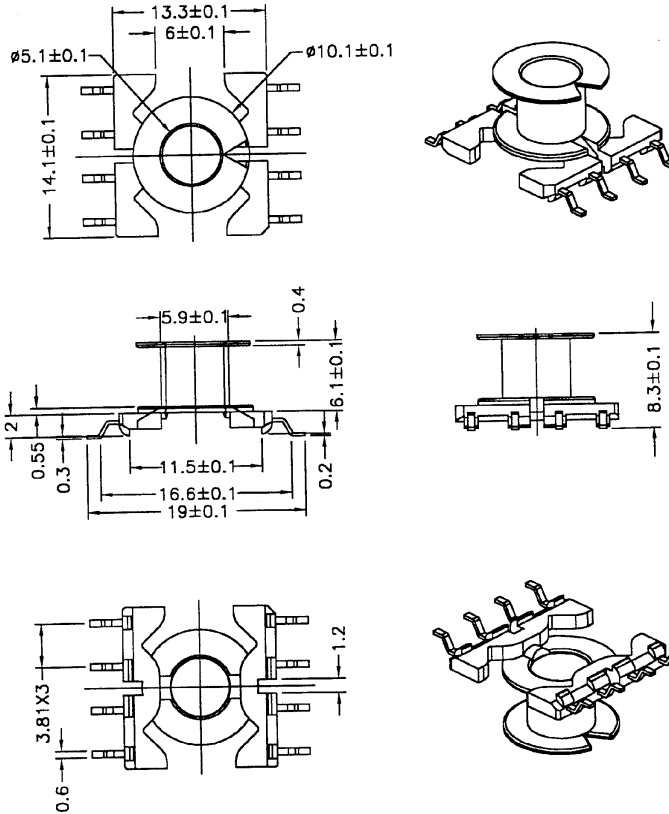
Series4 Data Sheet

Visit us on the WEB www.series4.co.uk



Westwood Court, Calmore Industrial Estate, Totton, Hampshire, SO40 3WX England

Tel: +44 (0)23 80 866377 Fax: +44 (0)23 80 866323 Email: paul.m@series4.co.uk



BOBBIN NAME: RM-5

Series4 Part No: BCRM5-1-8-GWING

OLD REF: S010

SPECIFICATION: 1 SECTION 8 PINS GULLWING TYPE SMD

MODEL	BOBBIN MATERIAL	PIN MATERIAL
S010A	PM-9630	Au
S010B	PM-9630	Sn/Pb
S010C	AM-113	Au
S010D	AM-113	Sn/Pb

UL RATING: 94V-0

UNIT: MM

**TOLERANCE: .X +/- 0.1
.XX +/- 0.05**