



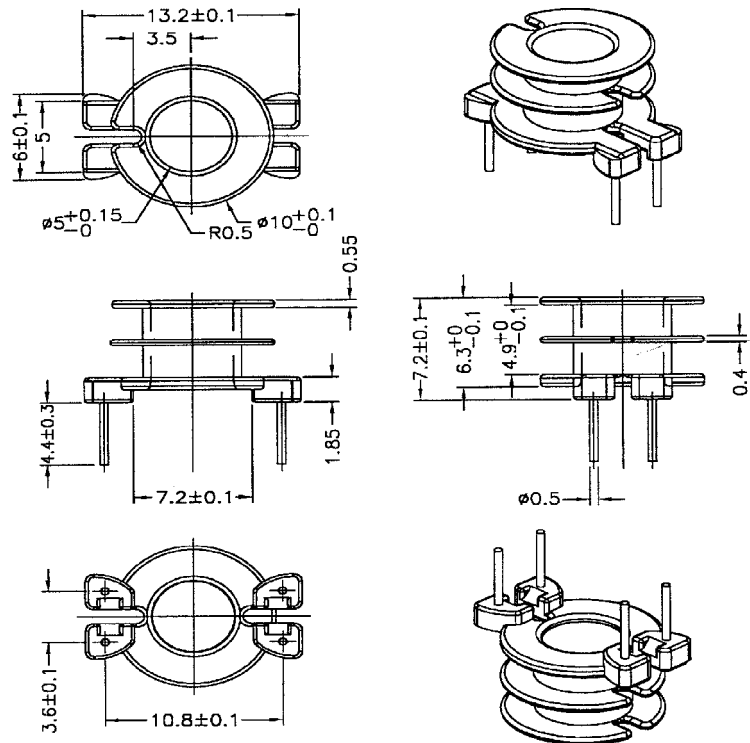
Series4 Data Sheet

Visit us on the WEB www.series4.co.uk



Westwood Court, Calmore Industrial Estate, Totton, Hampshire, SO40 3WX England

Tel: +44 (0)23 80 866377 Fax: +44 (0)23 80 866323 Email: paul.m@series4.co.uk



BOBBIN NAME:RM5 Series 4 Part No: BCRM5-2-4 OLD REF S004

SPECIFICATION: 2 SECTION 4 PIN

RM5 4PIN TWO SECTION

MODEL	PIN PLATING	PIN TYPE
S004A	CP WIRE	Ø 0.5
S004B	Sn/Pb	Ø 0.5
S004C	CP WIRE	SQ 0.4
S004D	Sn/Pb	SQ 0.4

ALL THE ABOVE BOBBINS PHENOLIC PM9630 MATERIAL

.X +/- 0.01

.XX +/- 0.05

UL: 94V-0

UNIT: MM