



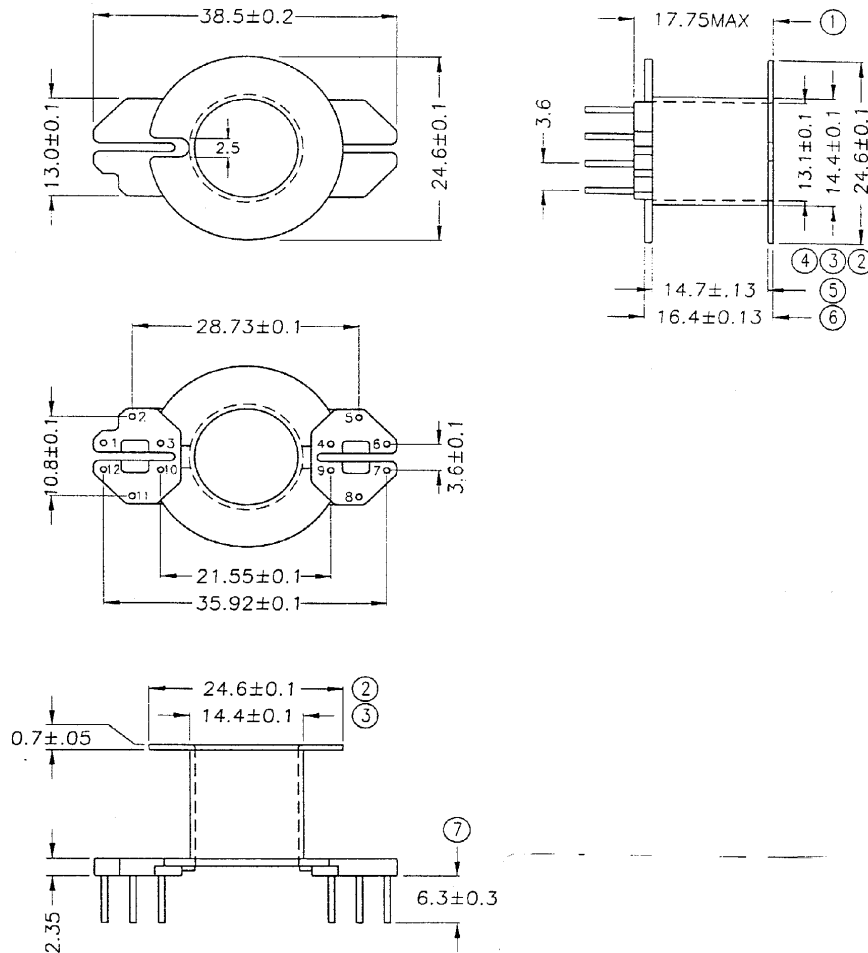
# Series4 Data Sheet



Visit us on the WEB [www.series4.co.uk](http://www.series4.co.uk)

Westwood Court, Calmore Industrial Estate, Totton, Hampshire, SO40 3WX England

Tel: +44 (0)23 80 866377 Fax: +44 (0)23 80 866323 Email: paul.m@series4.co.uk



**BOBBIN NAME: RM-12**

**Series 4 Part No: BCRM12-1-12**

**OLD REF: S030**

**SPECIFICATION: 1 SECTION 12 PIN**

**BOBBIN MATERIAL: PHENOLIC PM-9630**

**PIN MATERIAL: CP WIRE**

**PIN DIMENSION 0.8 ROUND PIN**

**PULLING STRENGTH: OVER 1.0KG 2 lbs**

**UL RATING: 94V-0**

**UNIT: MM**

**TOLERANCE: +/- 0.1 MM**