



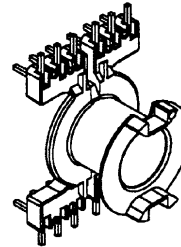
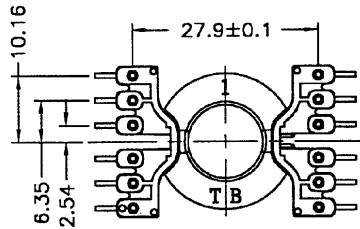
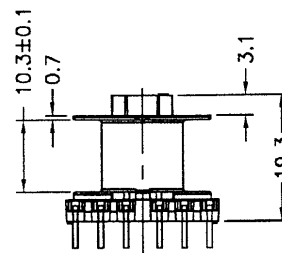
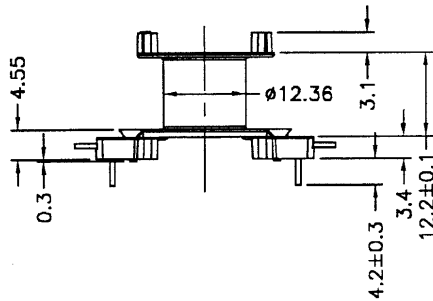
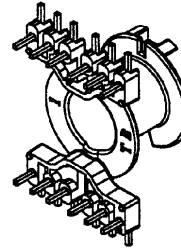
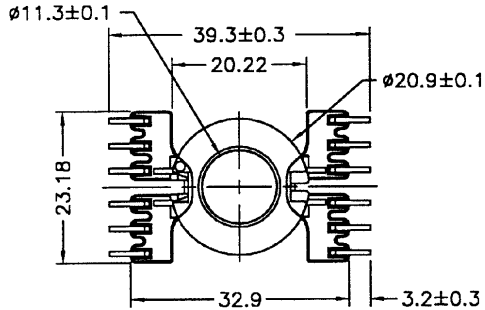
Series4 Data Sheet



Visit us on the WEB www.series4.co.uk

Westwood Court, Calmore Industrial Estate, Totton, Hampshire, SO40 3WX England

Tel: +44 (0)23 80 866377 Fax: +44 (0)23 80 866323 Email: paul.m@series4.co.uk



BOBBIN NAME: RM-10

Series 4 Part No: BCRM10-1-12-LPIN

OLD REF: S029

SPECIFICATION: 1 SECTION 12 PINS L PIN

MODEL	PIN PLATING	PIN TYPE
S029A	CP WIRE	$\phi 0.1$
S029B	Sn/Pb	$\phi 0.1$
S029C	CP WIRE	SQ 0.75
S029D	Sn/Pb	SQ 0.75

ALL THE ABOVE BOBBINS ARE PM-9630 MATERIAL

.X +/- 0.1
.XX +/- 0.05

UL: 94V-0
UNIT: MM