



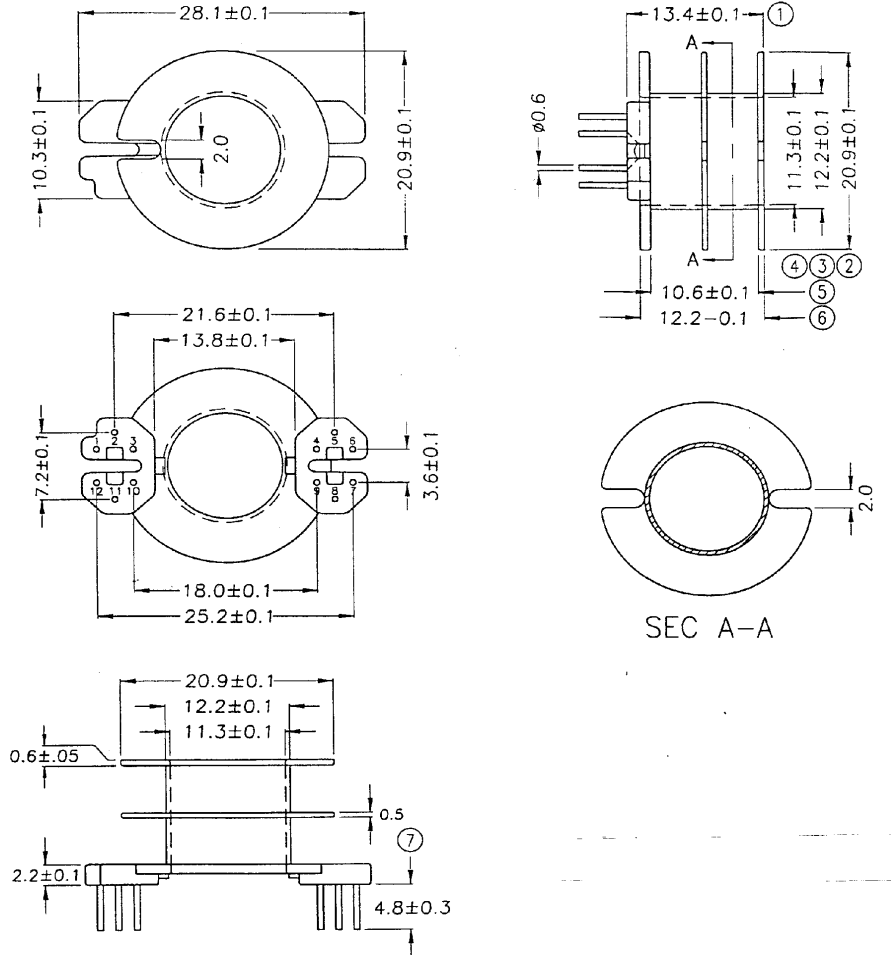
# Series4 Data Sheet



Visit us on the WEB [www.series4.co.uk](http://www.series4.co.uk)

Westwood Court, Calmore Industrial Estate, Totton, Hampshire, SO40 3WX England

Tel: +44 (0)23 80 866377 Fax: +44 (0)23 80 866323 Email: paul.m@series4.co.uk



**BOBBIN NAME: RM-10**

**Series 4 Part No: BCRM10-2-12**

**OLD REF: S027**

**SPECIFICATION: 2 SECTION 12 PINS**

**BOBBIN MATERIAL: PHENOLIC PM9630**

**PIN MATERIAL: CP WIRE**

**PIN DIMENSION 0.6 ROUND PIN**

**PULLING STRENGTH: OVER 1.0KG 2 lbs**

**UL RATING: 94V-0**

**UNIT: MM**

**TOLERANCE: +/- 0.1 MM**