



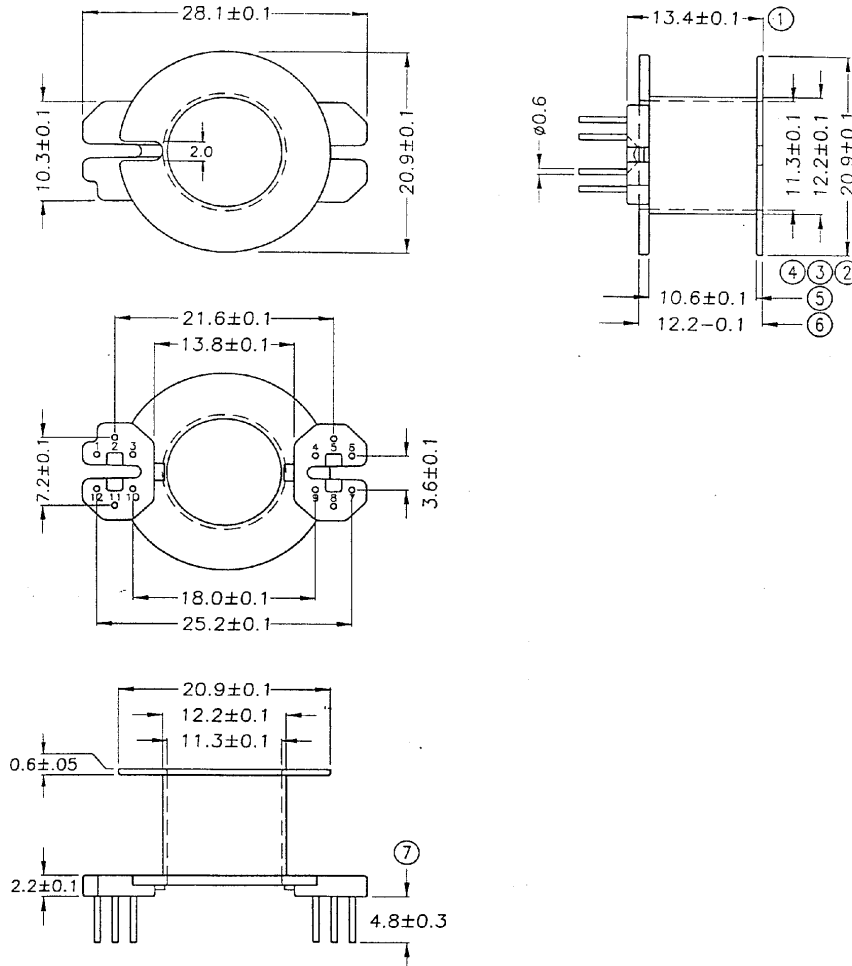
Series4 Data Sheet



Visit us on the WEB www.series4.co.uk

Westwood Court, Calmore Industrial Estate, Totton, Hampshire, SO40 3WX England

Tel: +44 (0)23 80 866377 Fax: +44 (0)23 80 866323 Email: paul.m@series4.co.uk



BOBBIN NAME: RM-10

Series 4 Part No: BCRM10-1-12

OLD REF: S025

SPECIFICATION: 1 SECTION 12 PINS

BOBBIN MATERIAL: PHENOLIC PM9630

PIN MATERIAL: CP WIRE

PIN DIMENSION 0.6 ROUND PIN

PULLING STRENGTH: OVER 1.0KG 2 lbs

UL RATING: 94V-0

UNIT: MM

TOLERANCE: +/- 0.1 MM