

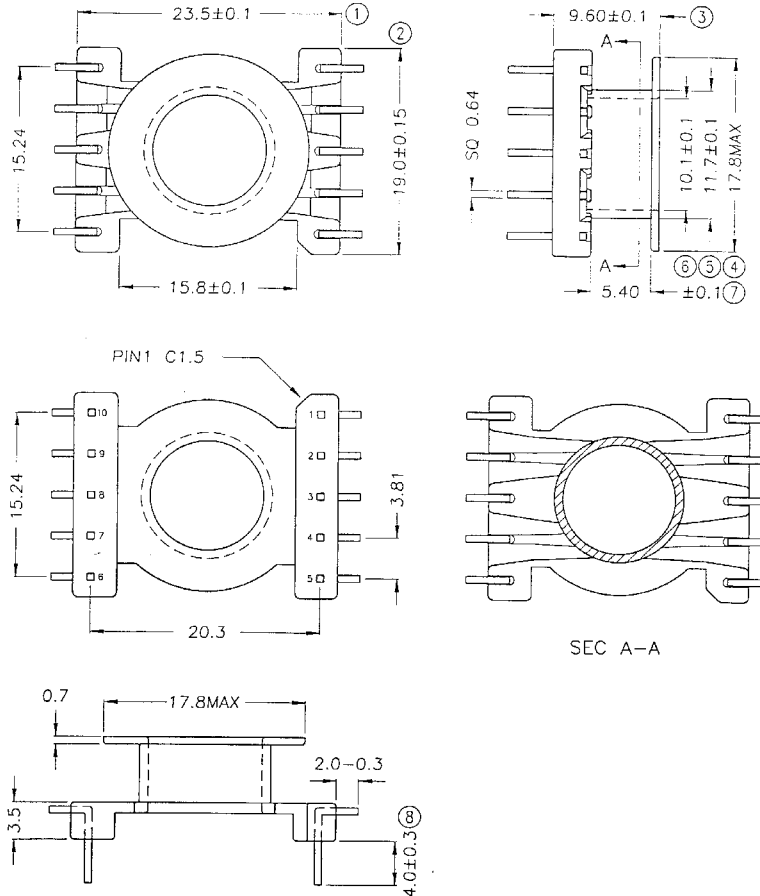


# Series4 Data Sheet



Visit us on the WEB [www.series4.co.uk](http://www.series4.co.uk)

Westwood Court, Calmore Industrial Estate, Totton, Hampshire, SO40 3WX England  
Tel: +44 (0)23 80 866377 Fax: +44 (0)23 80 866323 Email: paul.m@series4.co.uk



**BOBBIN NAME: P23 X 11**

**Series 4 Part No: BCP23-V-1-10 OLD REF: S219**

**SPECIFICATION: 1 SECTION 10 PINS**

**BOBBIN MATERIAL: PHENOLIC PM9630**

**PIN MATERIAL: CP WIRE**

**PIN DIMENSION: 0.64 SQUARE PIN**

**PULLING STRENGTH: 1.0 KG (2 lbs)**

**UL RATING: 94V-0**

**TOLERANCE: .+/- 0.1MM**

**UNIT: MM**