

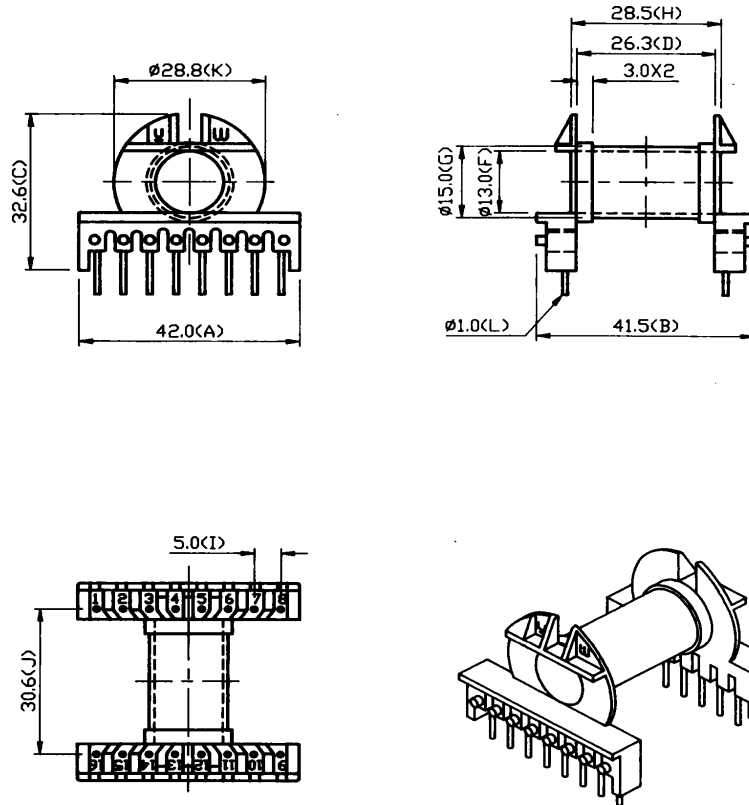


Series4 Data Sheet



Visit us on the WEB www.series4.co.uk

Westwood Court, Calmore Industrial Estate, Totton, Hampshire, SO40 3WX England
Tel: +44 (0)23 80 866377 Fax: +44 (0)23 80 866323 Email: paul.m@series4.co.uk



BOBBIN NAME: ETD39

Series 4 Part No: BCETD39-H-1-16LP

OLD REF: S086

SPECIFICATION: 1 SECTION 16 PIN HORIZONTAL (LOW PROFILE)

BOBBIN MATERIAL: T375J PHENOLIC

PIN MATERIAL: CP WIRE

UL RATING: 94V-0

UNIT: MM

TOLERANCE:

WHOLE: +/-0.5 DECIMAL: .X+/- 0.3
PIN PITCH: +/-0.1 .XX+/-0.2
ROW PITCH: +/-0.5