



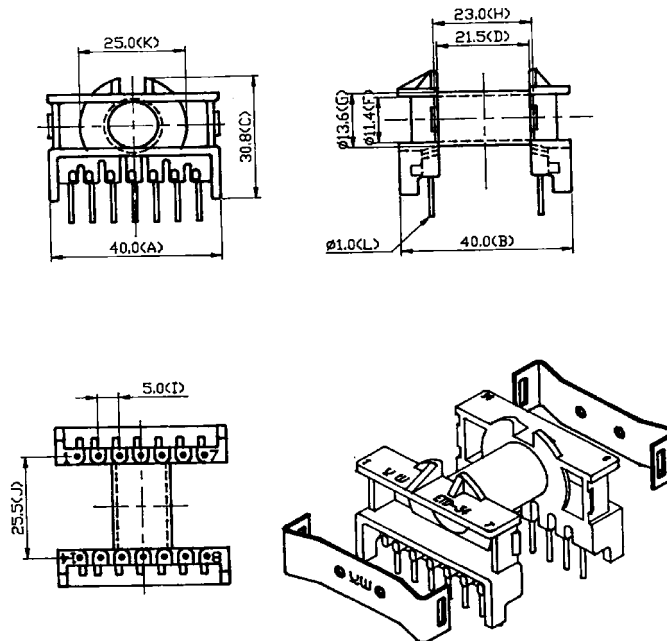
# Series4 Data Sheet



Visit us on the WEB [www.series4.co.uk](http://www.series4.co.uk)

Westwood Court, Calmore Industrial Estate, Totton, Hampshire, SO40 3WX England

Tel: +44 (0)23 80 866377 Fax: +44 (0)23 80 866323 Email: [paul.m@series4.co.uk](mailto:paul.m@series4.co.uk)



**BOBBIN NAME: ETD34**

**Series 4 Part No: BCETD34-H-1-14 OLD REF: S085  
AND CLIP S4 Pt No: BCETD34-CLIP OLD REF: S085C**

**SPECIFICATION: 1 SECTION 14 PIN HORIZONTAL**

**BOBBIN MATERIAL: T375J PHENOLIC**

**PIN MATERIAL: CP WIRE**

**UL RATING: 94V-0**

**UNIT: MM**

**TOLERANCE:**

**WHOLE: +/-0.5      DECIMAL: .X+/- 0.3  
PIN PITCH: +/-0.1      .XX+/-0.2  
ROW PITCH: +/-0.5**