



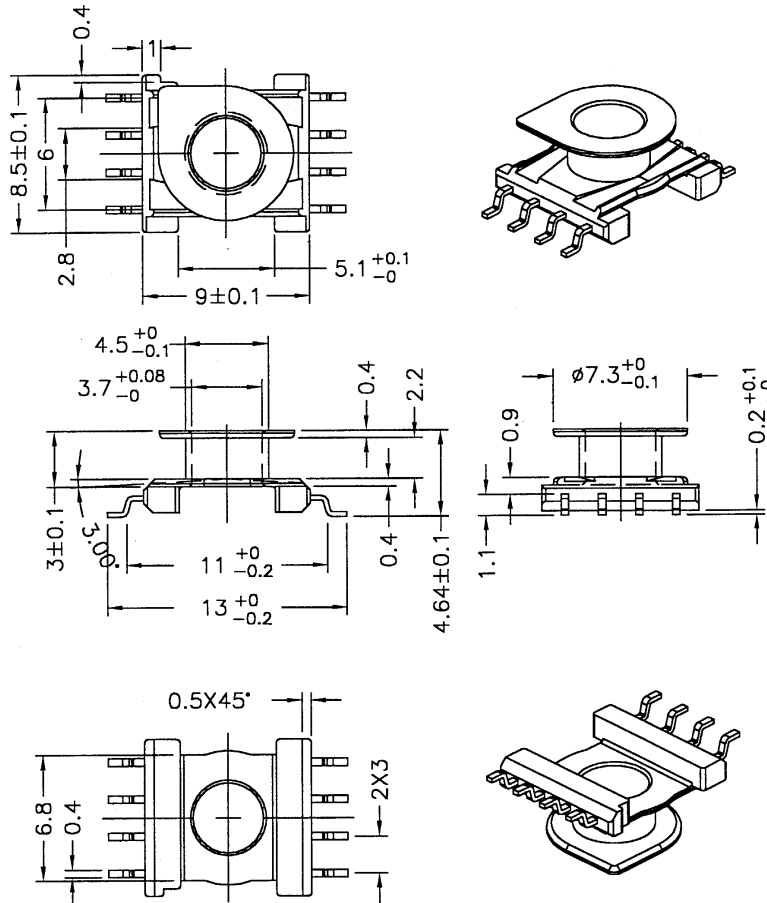
Series4 Data Sheet



Visit us on the WEB www.series4.co.uk

Westwood Court, Calmore Industrial Estate, Totton, Hampshire, SO40 3WX England

Tel: +44 (0)23 80 866377 Fax: +44 (0)23 80 866323 Email: paul.m@series4.co.uk



BOBBIN NAME: ER-9.5

Series 4 Part No: BCER95-V-1-8GW

OLD REF: S204

**SPECIFICATION: 1 SECTION 8 PINS GULLWING SMD
ALL PIN MATERIAL PHOSPHOR BRONZE**

MODEL	BOBBIN MATERIAL	PIN PLATING
S204A	LCP E4008	Au
S204B	LCP E4008	Sn/Pb

TOLERANCE:

.X +/- 0.1

.XX +/- 0.05

UL RATING: 94V-0

UNIT: MM