



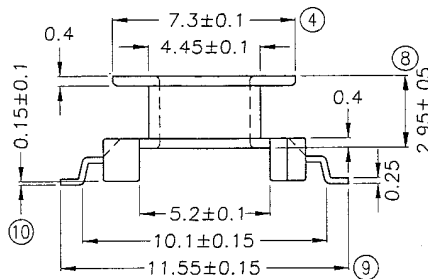
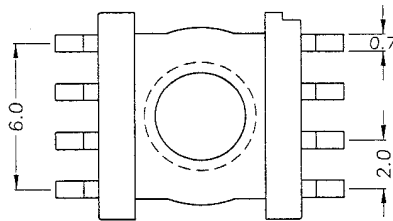
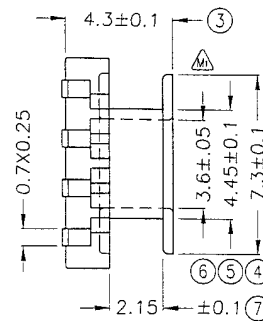
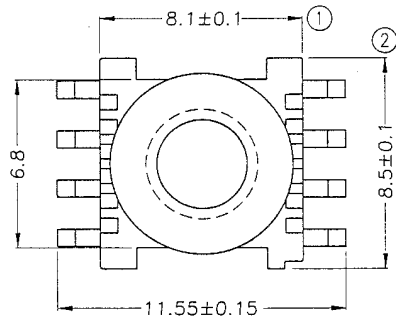
# Series4 Data Sheet



Visit us on the WEB [www.series4.co.uk](http://www.series4.co.uk)

Westwood Court, Calmore Industrial Estate, Totton, Hampshire, SO40 3WX England

Tel: +44 (0)23 80 866377 Fax: +44 (0)23 80 866323 Email: paul.m@series4.co.uk



**BOBBIN NAME: ER-9.5/5**

**Series 4 Part No: BCER955-V-1-8GW**

**OLD REF: S203**

**SPECIFICATION: 1 SECTION 8 GULLWING SMD**

**BOBBIN MATERIAL: L.C.P. E-4008**

**PIN MATERIAL: PHOSPHOR BRONZE**

**PIN DIMENSION: 0.7 X 0.25**

**PULLING STRENGTH: 1.0 KG (2 lbs)**

**UL RATING: 94V-0**

**TOLERANCE: +/- 0.1 MM**

**UNIT: MM**