



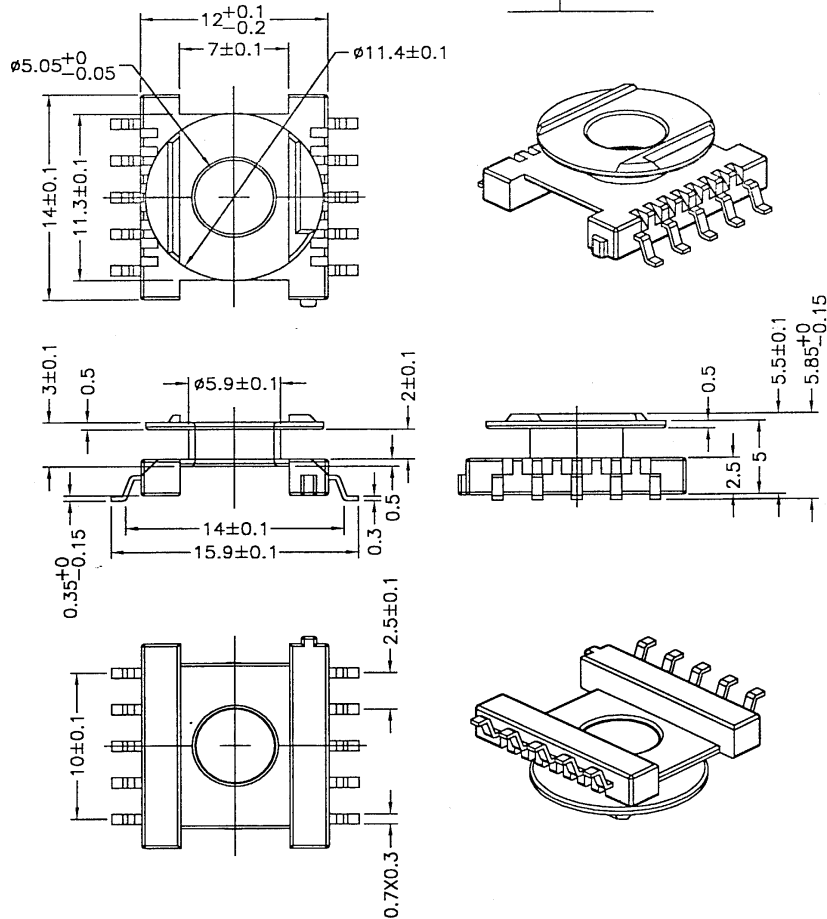
# Series4 Data Sheet



Visit us on the WEB [www.series4.co.uk](http://www.series4.co.uk)

Westwood Court, Calmore Industrial Estate, Totton, Hampshire, SO40 3WX England

Tel: +44 (0)23 80 866377 Fax: +44 (0)23 80 866323 Email: paul.m@series4.co.uk



**BOBBIN NAME: ER-14.5/6**

**Series 4 Part No: BCER145-V-1-10GW**

**OLD REF: S212**

**SPECIFICATION: 1 SECTION 10 GULLWING SMD ALL PINS ARE PHOSPHOR BRONZE MATERIAL**

MODEL	BOBBIN MATERIAL	PIN PLATING
S212A	PM-9630	Au
S212B	PM-9630	Sn/Pb
S212C	AM-113	Au
S212D	AM-113	Sn/Pb

**UL RATING: 94V-0**

**TOLERANCE:**

**.X +/- 0.1**

**.XX +/- 0.05**

**UNIT: MM**