



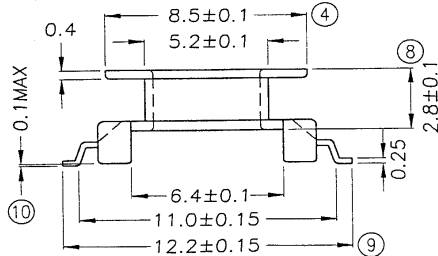
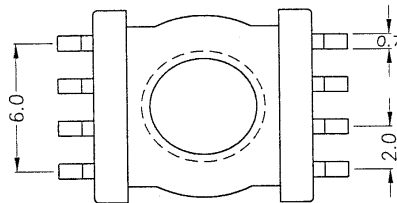
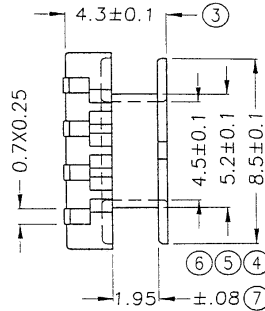
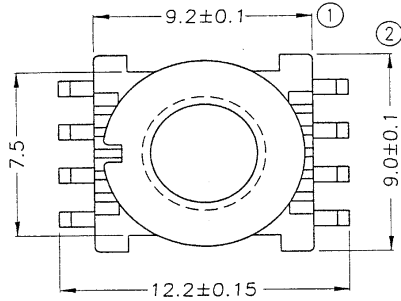
Series4 Data Sheet



Visit us on the WEB www.series4.co.uk

Westwood Court, Calmore Industrial Estate, Totton, Hampshire, SO40 3WX England

Tel: +44 (0)23 80 866377 Fax: +44 (0)23 80 866323 Email: paul.m@series4.co.uk



BOBBIN NAME: ER-11/5

Series 4 Part No: BCER115-V-1-8GWF

OLD REF: S207

SPECIFICATION: 1 SECTION 8 PINS GULLWING SMD SLIGHTLY FLATTER

BOBBIN MATERIAL: PHENOLIC PM9630

PIN MATERIAL: PHOSPHOR BRONZE

PIN DIMENSION: 0.7 X 0.25

PULLING STRENGTH: 1.0 KG (2 lbs)

UL RATING: 94V-0

**TOLERANCE:
./- 0.1MM**

UNIT: MM