



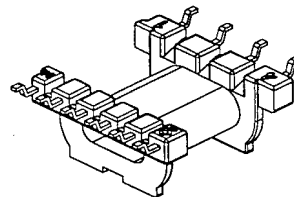
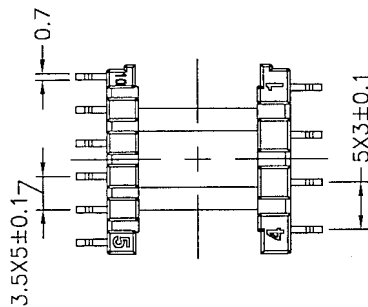
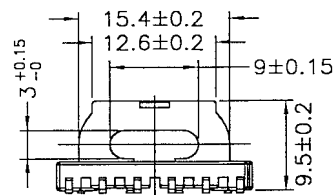
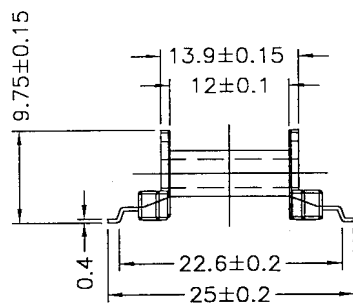
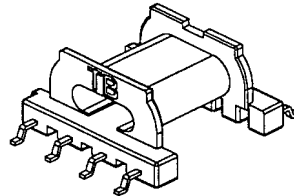
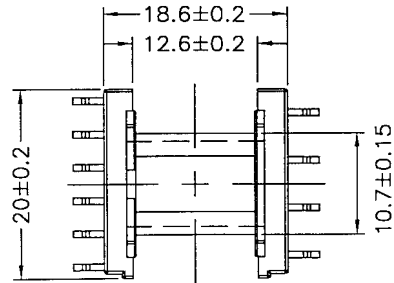
# Series4 Data Sheet



Visit us on the WEB [www.series4.co.uk](http://www.series4.co.uk)

Westwood Court, Calmore Industrial Estate, Totton, Hampshire, SO40 3WX England

Tel: +44 (0)23 80 866377 Fax: +44 (0)23 80 866323 Email: paul.m@series4.co.uk



**BOBBIN NAME: EPC19**

**Series 4 Part No: BCEPC19-H-1-10GW**

**OLD REF: S189**

**SPECIFICATION: 1 SECTION 10 PINS  
GULLWING SMD ALL PINS PHOSPHOR BRONZE**

	BOBBIN	PIN
MODEL	MATERIAL	PLATING
S189A	PM9630	Au
S189B	PM9630	Sn/Pb
S189C	AM113	Au
S189D	AM113	Sn/Pb

**TOLERANCE:**

.X +/- 0.1

.XX +/- 0.05

**UL: 94V-0**

**UNIT: MM**