



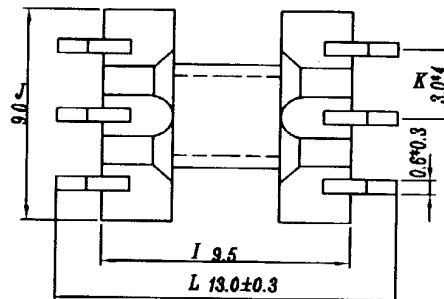
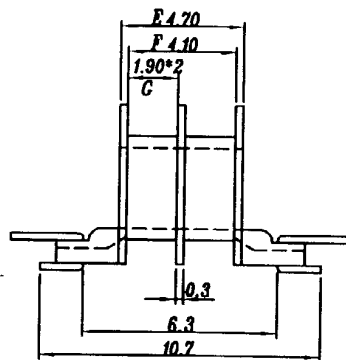
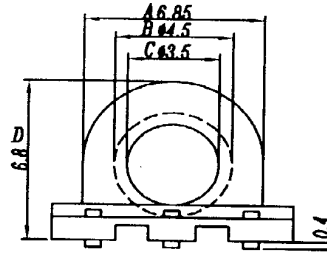
Series4 Data Sheet



Visit us on the WEB www.series4.co.uk

Westwood Court, Calmore Industrial Estate, Totton, Hampshire, SO40 3WX England

Tel: +44 (0)23 80 866377 Fax: +44 (0)23 80 866323 Email: paul.m@series4.co.uk



BOBBIN NAME: EP-7

Series 4 Part No: BCEP7-2-6-JPIN

OLD REF: S061

SPECIFICATION: 2 SECTION 6 PIN J TYPE SMD

BOBBIN MATERIAL: LCP

PIN MATERIAL: PHOSPHOR BRONZE (TIN PLATED)

UL RATING: 94V-0

UNIT: MM

TOLERANCE: .XXX +/- 0.08

.XX +/- 0.1

.X +/- 0.2