



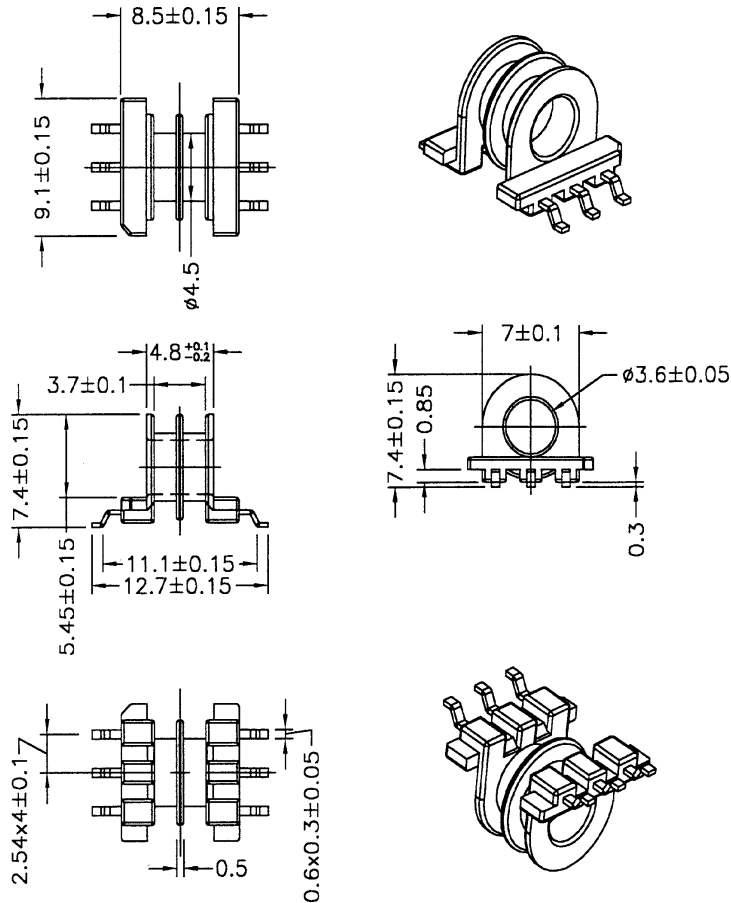
# Series4 Data Sheet



Visit us on the WEB [www.series4.co.uk](http://www.series4.co.uk)

Westwood Court, Calmore Industrial Estate, Totton, Hampshire, SO40 3WX England

Tel: +44 (0)23 80 866377 Fax: +44 (0)23 80 866323 Email: paul.m@series4.co.uk



**BOBBIN NAME: EP-7**

**Series 4 Part No: BCEP7-2-6-GW**

**OLD REF: S059**

**SPECIFICATION: 2 SECTION 6 PINS**

MODEL	BOBBIN MATERIAL	PIN PLATING
S059A	PM9630	Au
S059B	PM9630	Sn/Pb
S059C	AM113	Au
S059D	AM113	Sn/Pb

**TOLERANCE:**

.X +/- 0.1

XX +/- 0.05

**UL: 94V-0**

**UNIT: MM**