



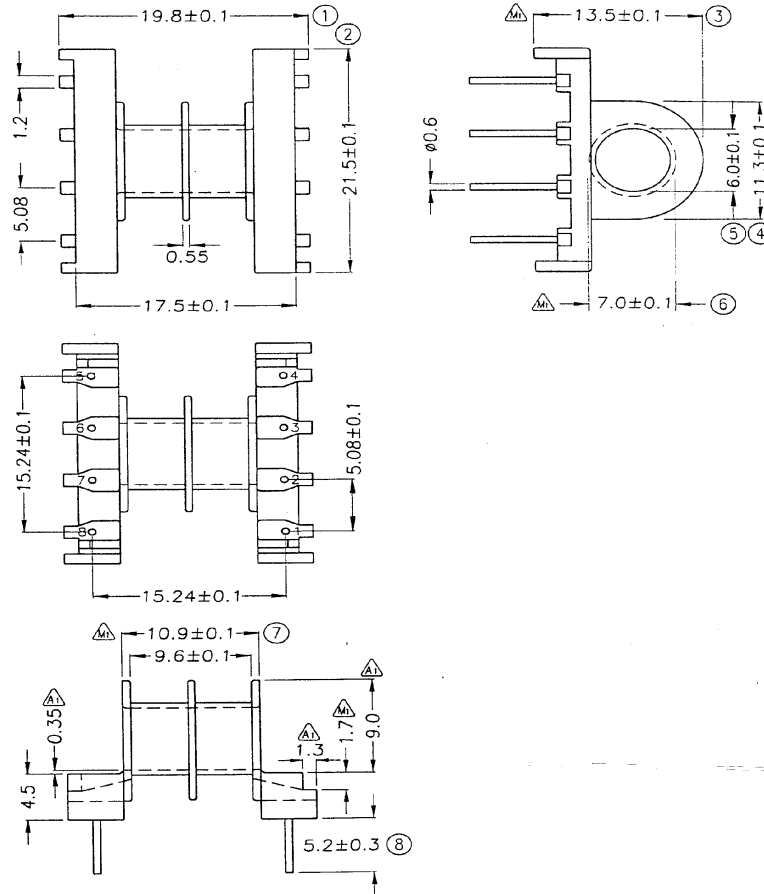
# Series4 Data Sheet



Visit us on the WEB [www.series4.co.uk](http://www.series4.co.uk)

Westwood Court, Calmore Industrial Estate, Totton, Hampshire, SO40 3WX England

Tel: +44 (0)23 80 866377 Fax: +44 (0)23 80 866323 Email: [paul.m@series4.co.uk](mailto:paul.m@series4.co.uk)



**BOBBIN NAME: EP-17**

**Series 4 Part No: BCEP17-2-8-FL**

**OLD REF: S080**

**SPECIFICATION: 2 SECTION 8 PINS LONGER STYLE DIFFERENT FLANGE DESIGN**

**BOBBIN MATERIAL: PHENOLIC PM-9630**

**PIN MATERIAL: CP WIRE**

**PIN DIMENSION 0.6 ROUND**

**PULLING STRENGTH: OVER 1.0KG 2lbs**

**UL RATING: 94V-0**

**UNIT: MM**

**TOLERANCE: +/- 0.1 MM**