

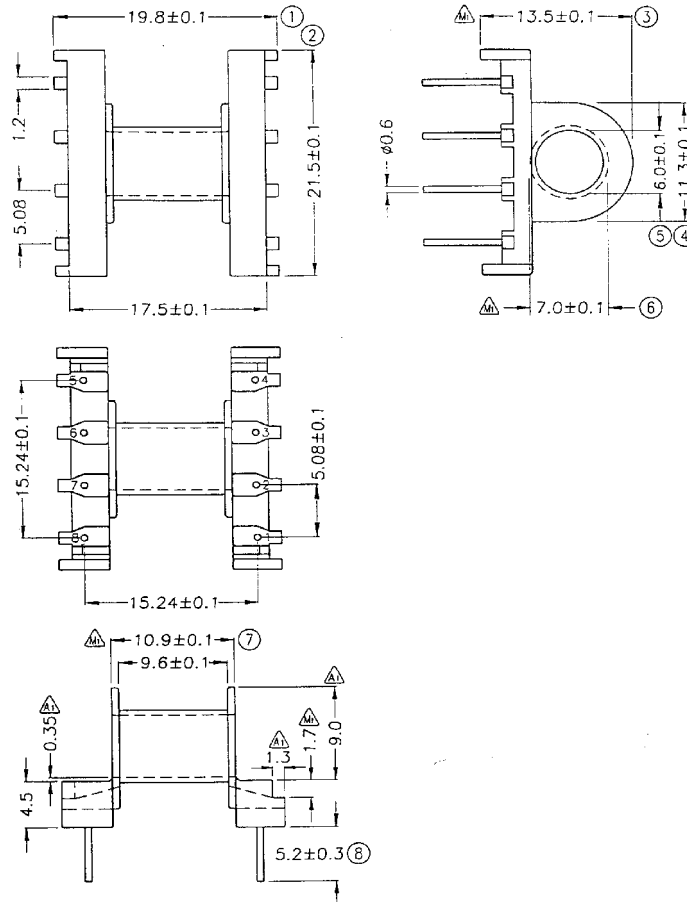


Series4 Data Sheet



Visit us on the WEB www.series4.co.uk

Westwood Court, Calmore Industrial Estate, Totton, Hampshire, SO40 3WX England
Tel: +44 (0)23 80 866377 Fax: +44 (0)23 80 866323 Email: paul.m@series4.co.uk



BOBBIN NAME: EP-17

Series 4 Part No: BCEP17-1-8-FL

OLD REF: S078

SPECIFICATION: 1 SECTION 8 PINS LONGER STYLE DIFFERENT FLANGE DESIGN

BOBBIN MATERIAL: PM-9630

PIN MATERIAL: CP WIRE

PIN DIMENSION 0.6 ROUND

PULLING STRENGTH: OVER 1.0KG 2lbs

UL RATING: 94V-0

UNIT: MM

TOLERANCE: +/- 0.01 MM