



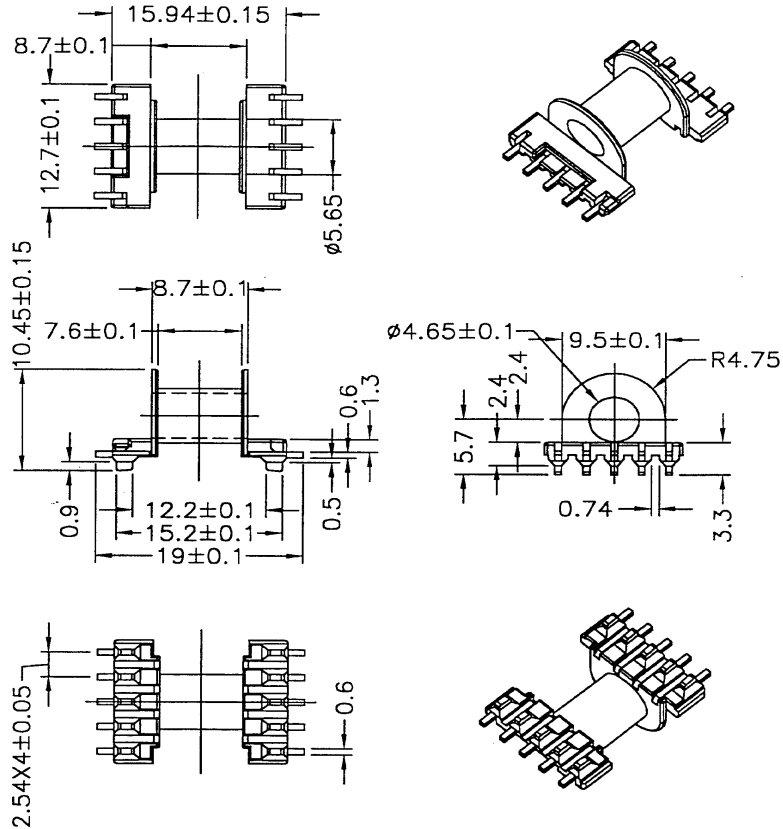
Series4 Data Sheet



Visit us on the WEB www.series4.co.uk

Westwood Court, Calmore Industrial Estate, Totton, Hampshire, SO40 3WX England

Tel: +44 (0)23 80 866377 Fax: +44 (0)23 80 866323 Email: paul.m@series4.co.uk



BOBBIN NAME: EP-13

Series 4 Part No: BCEP13-1-10PPIN

OLD REF: S074

SPECIFICATION: 1 SECTION 10 PINS P TYPE SMD

MODEL	BOBBIN MATERIAL	PIN PLATING
S074A	PM9630	Au
S074B	PM9630	Sn/Pb
S074C	AM113	Au
S074D	AM113	Sn/Pb

.X +/- 0.1

.XX +/- 0.05

UL: 94V-0

UNIT: MM