



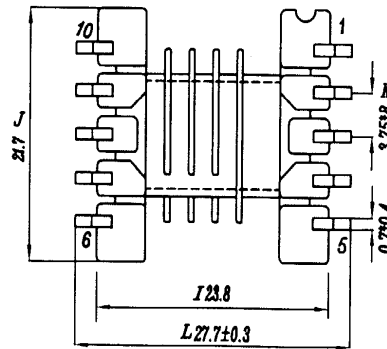
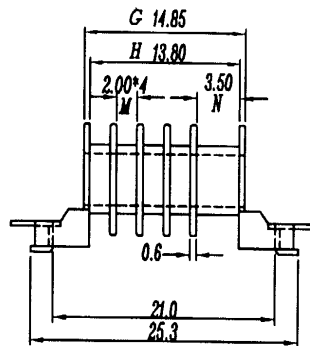
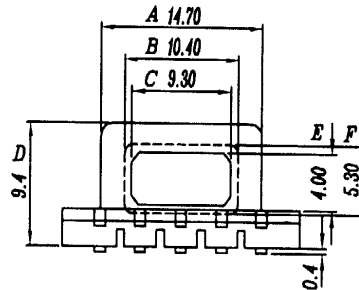
# Series4 Data Sheet



Visit us on the WEB [www.series4.co.uk](http://www.series4.co.uk)

Westwood Court, Calmore Industrial Estate, Totton, Hampshire, SO40 3WX England

Tel: +44 (0)23 80 866377 Fax: +44 (0)23 80 866323 Email: paul.m@series4.co.uk



**BOBBIN NAME: EFD-20**

**Series 4 Part No: BCEFD20-5-10-JPIN**

**OLD REF: S048**

**SPECIFICATION: 5 SECTION 10 PIN J TYPE SMD**

**BOBBIN MATERIAL: N46**

**PIN MATERIAL: PHOSPHOR BRONZE (TIN PLATED)**

**UL RATING: 94V-0**

**UNIT: MM**

**TOLERANCE: .X XX +/- 0.08**

**.XX +/- 0.1**

**.X +/- 0.2**